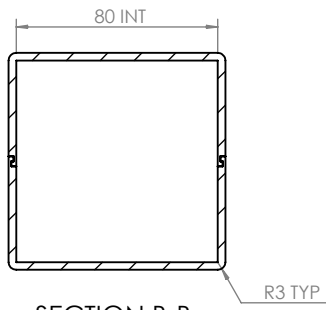
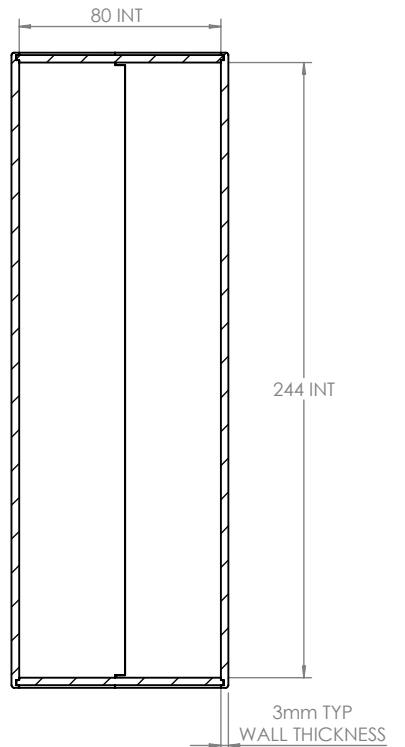
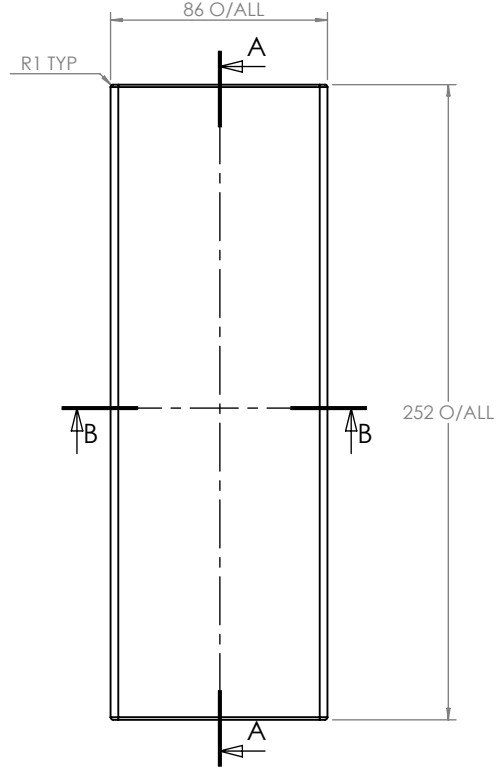
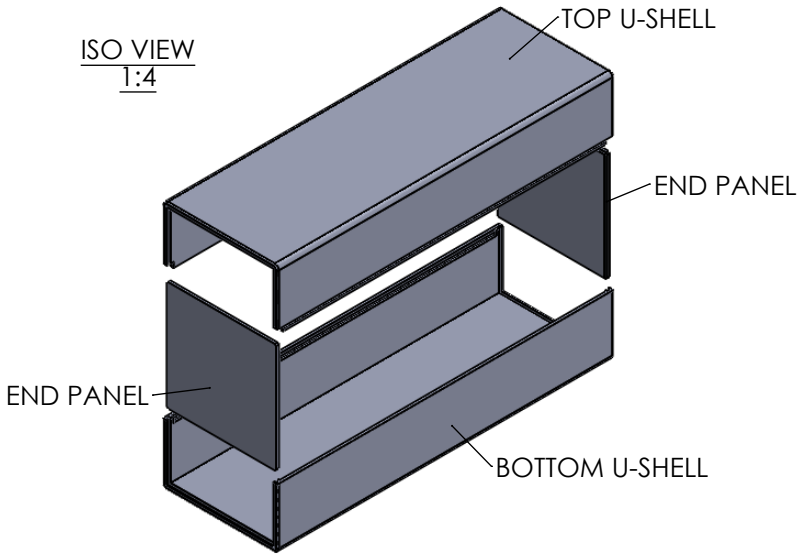




ISO VIEW  
1:4



SECTION A-A  
SCALE 1 : 3

SECTION B-B  
SCALE 1 : 3

 <b>CAMDENBOSS</b> JAMES CARTER RD, MILDENHALL, SUFFOLK. IP28 7DE TEL: 01638 716101 FAX: 01638 716554 EMAIL: Sales@CamdenBoss.com WEB: www.CamdenBoss.com		UNLESS OTHERWISE SPECIFIED: DIMENSIONS ARE IN MILLIMETERS	DO NOT SCALE DRAWING	REVISION. 0		
		GENERAL TOLERANCES +/- 0.2	TITLE: <b>GENERAL ASSEMBLY DRAWING FOR 244x80x80mm END PANEL ENCLOSURE</b>			
DRAWN	NAME MATTHEW WALLACE	SIGNED MJW	DATE 06/12/11	MATERIAL. VAR	DWG NO. <b>7555 End Panel Enclosures</b>	A4
CHK'D	-	-	-	PROJECTION. 	SCALE: 1 : 3	SHEET 1 OF 1