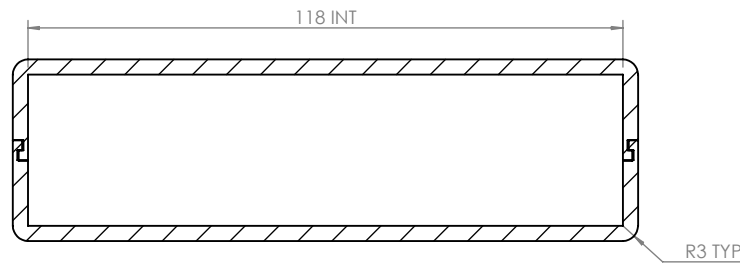
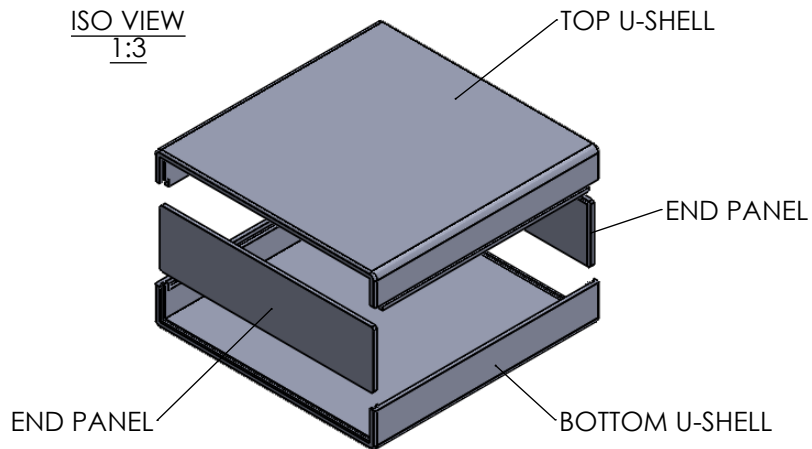



SECTION A-A
SCALE 2 : 3



SECTION B-B
SCALE 2 : 3

ISO VIEW
1:3



 CAMDENBOSS JAMES CARTER RD, MILDENHALL, SUFFOLK. IP28 7DE TEL: 01638 716101 FAX: 01638 716554 EMAIL: Sales@CamdenBoss.com WEB: www.CamdenBoss.com		UNLESS OTHERWISE SPECIFIED: DIMENSIONS ARE IN MILLIMETERS	DO NOT SCALE DRAWING	REVISION. 0			
		GENERAL TOLERANCES +/- 0.2	TITLE: GENERAL ASSEMBLY DRAWING FOR 118x118x30mm END PANEL ENCLOSURE				
DRAWN	NAME	SIGNED	DATE	MATERIAL.	DWG NO.	7553 End Panel Enclosures	A4
CHKD	MATTHEW WALLACE	MJW	06/12/11	VAR	7553		
				PROJECTION.	SCALE: 2 : 3	SHEET 1 OF 1	