

1 2 3 4 5 6

A

B

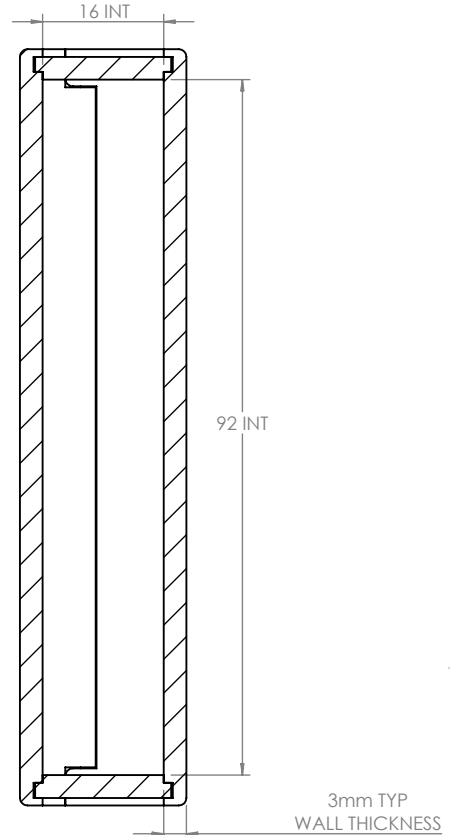
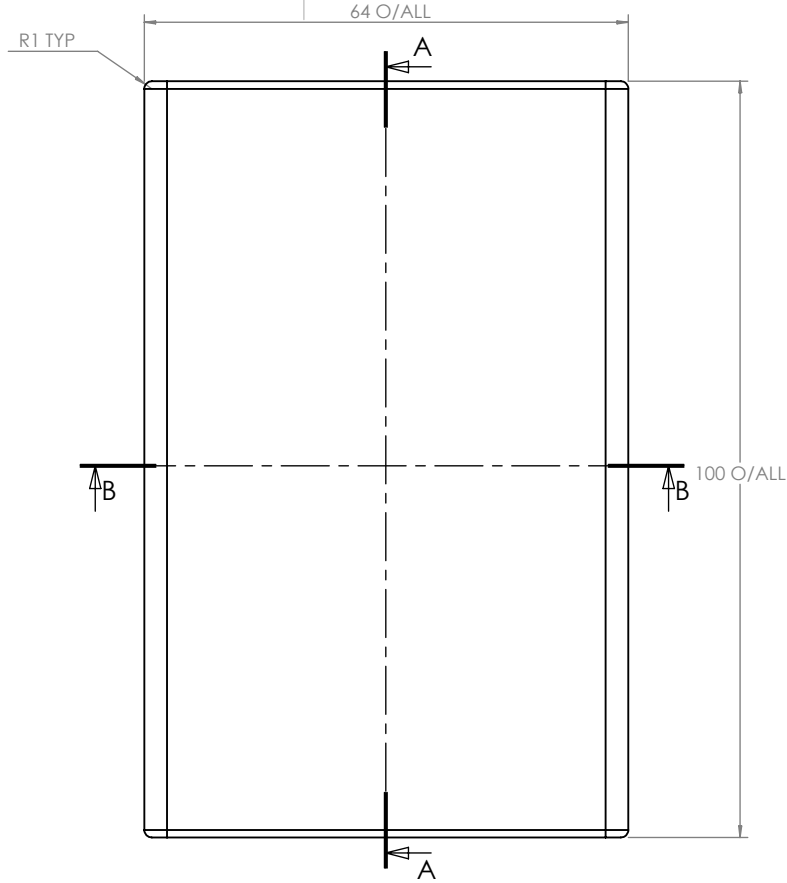
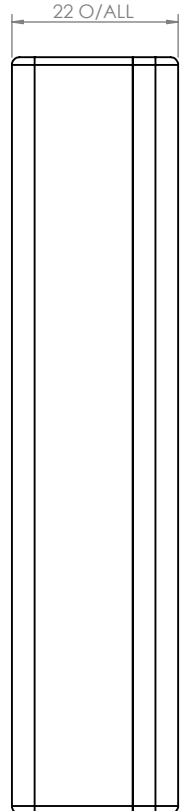
C

D

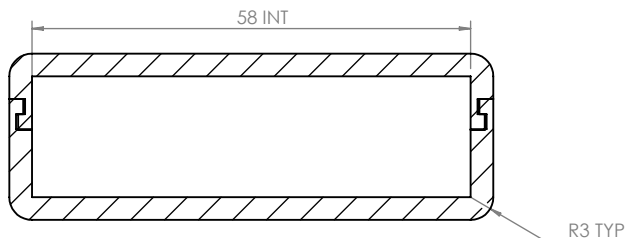
A

B

C

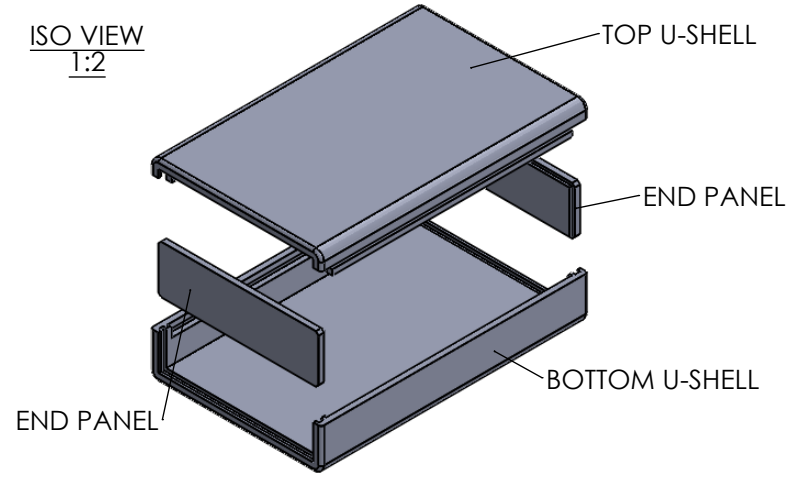



SECTION A-A
SCALE 1 : 1



SECTION B-B
SCALE 1 : 1

ISO VIEW
1:2



 CAMDENBOSS JAMES CARTER RD, MILDENHALL, SUFFOLK. IP28 7DE TEL: 01638 716101 FAX: 01638 716554 EMAIL: Sales@CamdenBoss.com WEB: www.CamdenBoss.com		UNLESS OTHERWISE SPECIFIED: DIMENSIONS ARE IN MILLIMETERS	DO NOT SCALE DRAWING	REVISION. O			
		GENERAL TOLERANCES +/- 0.2	TITLE: GENERAL ASSEMBLY DRAWING FOR 92x58x16mm END PANEL ENCLOSURE				
DRAWN	NAME	SIGNED	DATE	MATERIAL.	DWG NO.	7551 End Panel Enclosures	A4
CHK'D	MATTHEW WALLACE	MJW	06/12/11	VAR	7551 End Panel Enclosures		
				FINISH.	SCALE. 1 : 1	SHEET 1 OF 1	
				VAR			
				PROJECTION.			