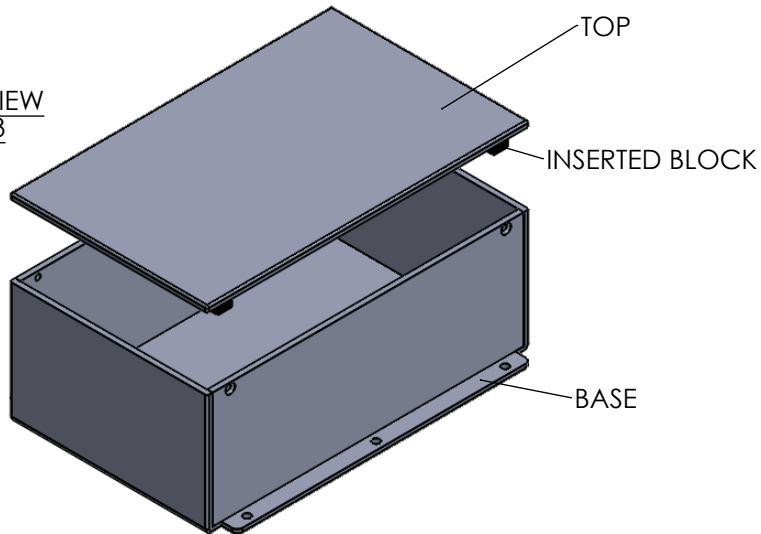



SECTION B-B

ISO VIEW
1:3



 CAMDENBOSS JAMES CARTER RD, MILDENHALL, SUFFOLK. IP28 7DE TEL: 01638 716101 FAX: 01638 716554 EMAIL: Sales@CamdenBoss.com WEB: www.CamdenBoss.com		UNLESS OTHERWISE SPECIFIED: DIMENSIONS ARE IN MILLIMETERS	DO NOT SCALE DRAWING	REVISION. 0			
		GENERAL TOLERANCES +/- 0.2	TITLE: GENERAL ASSMEBY DRAWING FOR 175x105x65mm SURFACE MOUNT ENCLOSURE				
DRAWN	NAME	SIGNED	DATE	MATERIAL.	DWG NO.	7544 Surface Mount Enclosures	A4
CHK'D	MATTHEW WALLACE	MJW	20/01/12	VAR			
				FINISH.	SCALE: 2 : 5	SHEET 1 OF 1	
				PROJECTION.	