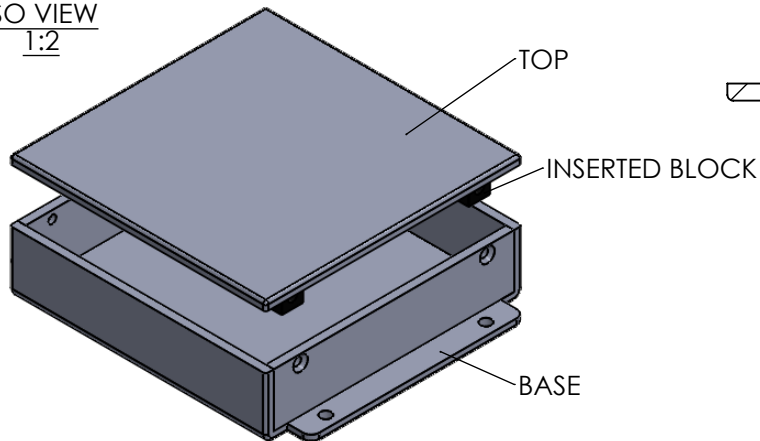



SECTION B-B
SCALE 3 : 4

ISO VIEW
1:2



| | | | | | | |
|---|-----------------|--|---|-------------|-------------------------------|--------------|
|  CAMDENBOSS JAMES CARTER RD, MILDENHALL, SUFFOLK. IP28 7DE TEL: 01638 716101 FAX: 01638 716554 EMAIL: Sales@CamdenBoss.com WEB: www.CamdenBoss.com | | UNLESS OTHERWISE SPECIFIED: DIMENSIONS ARE IN MILLIMETERS | DO NOT SCALE DRAWING | REVISION. 0 | | |
| | | GENERAL TOLERANCES +/- 0.2 | TITLE: GENERAL ASSEMBLY DRAWING FOR 90x90x20mm SURFACE MOUNT ENCLOSURE | | | |
| DRAWN | NAME | SIGNED | DATE | MATERIAL. | DWG NO. | A4 |
| CHKD | MATTHEW WALLACE | MJW | 20/01/12 | VAR | 7542 Surface Mount Enclosures | |
| | | | | FINISH. | SCALE: 3 : 4 | SHEET 1 OF 1 |
| | | | | VAR | | |
| | | | | PROJECTION. | | |