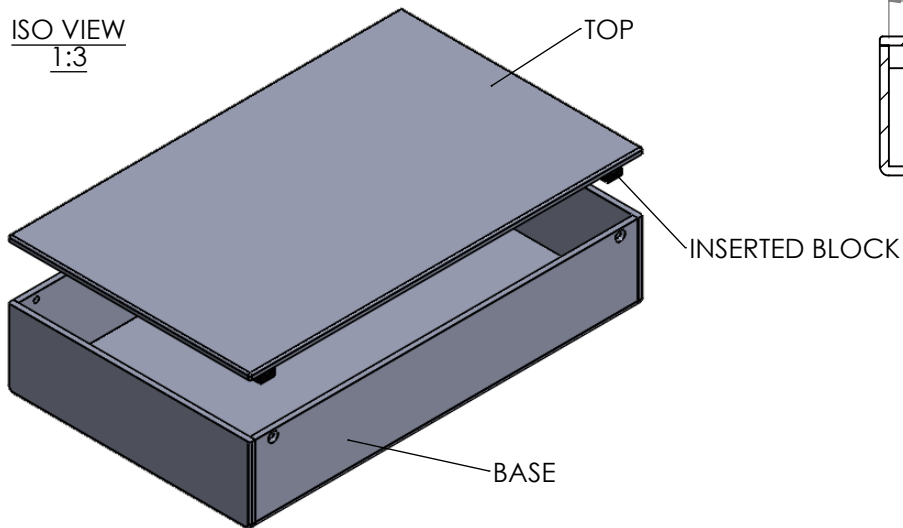



SECTION B-B
SCALE 2 : 5

SECTION A-A
SCALE 2 : 5

ISO VIEW
1:3



 CAMDENBOSS JAMES CARTER RD, MILDENHALL, SUFFOLK. IP28 7DE TEL: 01638 716101 FAX: 01638 716554 EMAIL: Sales@CamdenBoss.com WEB: www.CamdenBoss.com		UNLESS OTHERWISE SPECIFIED: DIMENSIONS ARE IN MILLIMETERS	DO NOT SCALE DRAWING	REVISION. 0		
		GENERAL TOLERANCES +/- 0.2	TITLE: GENERAL ASSEMBLY DRAWING FOR 215x130x40mm BASE & LID ENCLOSURE			
DRAWN	NAME	SIGNED	DATE	MATERIAL.	DWG NO.	A4
CHK'D	MATTHEW WALLACE	MJW	05/08/11	VAR	7535 Base & Lid Enclosures	
				FINISH.	SCALE: 2 : 5	SHEET 1 OF 1
				VAR		
				PROJECTION.		