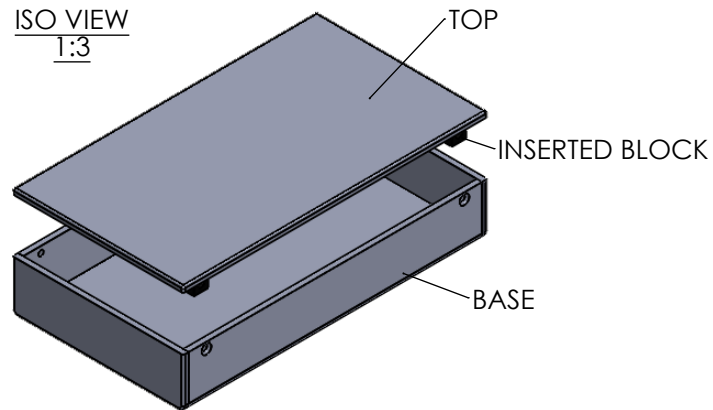




ISO VIEW  
1:3



 <b>CAMDENBOSS</b> <small>JAMES CARTER RD, MILDENHALL, SUFFOLK, IP28 7DE          TEL: 01 638 716101 FAX: 01 638 716554          EMAIL: Sales@CamdenBoss.com          WEB: www.CamdenBoss.com</small>		UNLESS OTHERWISE SPECIFIED: DIMENSIONS ARE IN MILLIMETERS	DO NOT SCALE DRAWING	REVISION. 0		
		GENERAL TOLERANCES +/- 0.2	TITLE: <b>GENERAL ASSEMBLY DRAWING FOR 165x90x25mm BASE &amp; LID ENCLOSURE</b>			
DRAWN	NAME MATTHEW WALLACE	SIGNED MJW	DATE MJW	MATERIAL. VAR	DWG NO. <b>7534 Base &amp; Lid Enclosures</b>	A4
CHK'D	-	-	-	PROJECTION. 	SCALE. 1 : 2	SHEET 1 OF 1