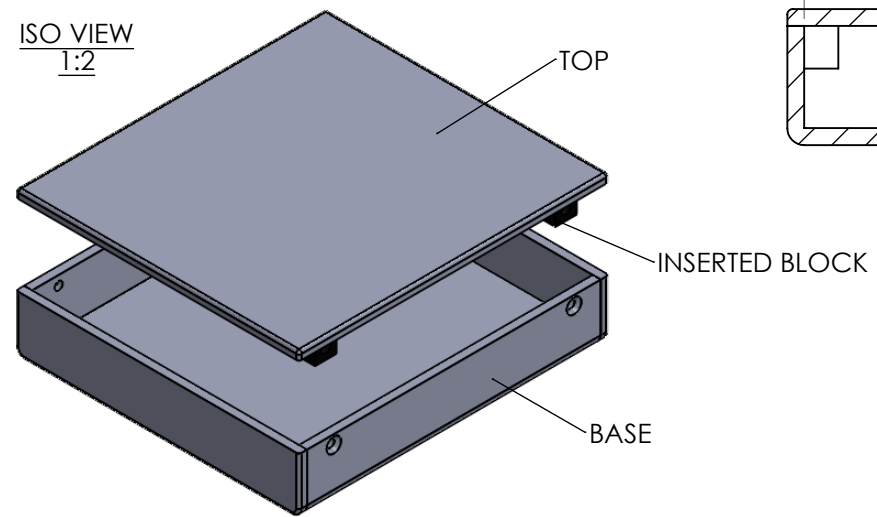



ISO VIEW
1:2



 CAMDENBOSS <small>JAMES CARTER RD, MILDENHALL, SUFFOLK, IP28 7DE TEL: 01438 716101 FAX: 01438 716554 EMAIL: Sales@CamdenBoss.com WEB: www.CamdenBoss.com</small>		UNLESS OTHERWISE SPECIFIED: DIMENSIONS ARE IN MILLIMETERS	DO NOT SCALE DRAWING	REVISION. 0		
		GENERAL TOLERANCES +/- 0.2	TITLE: GENERAL ASSEMBLY DRAWING FOR 110x100x18mm BASE & LID ENCLOSURE			
DRAWN	NAME	SIGNED	DATE	MATERIAL.	DWG NO.	A4
CHKD	MATTHEW WALLACE	MJW	05/08/11	VAR	7533 Base & Lid Enclosure	
				FINISH.	SCALE: 3 : 4	SHEET 1 OF 1
				VAR		
				PROJECTION.		