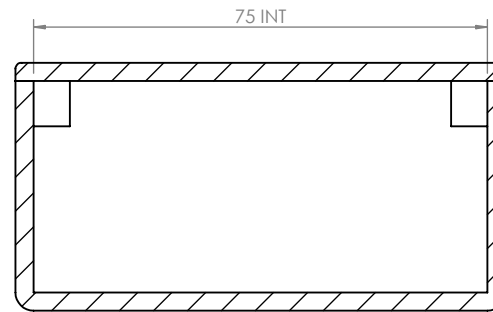
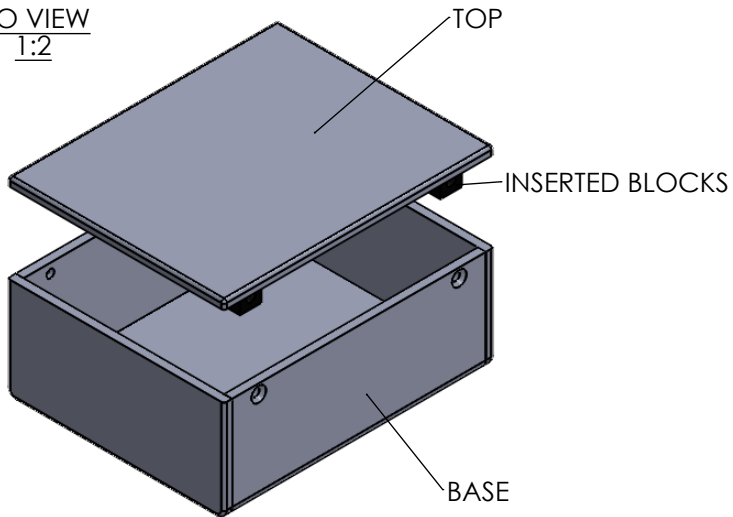



ISO VIEW
1:2



 CAMDENBOSS JAMES CARTER RD, MILDENHALL, SUFFOLK. IP28 7DE TEL: 01638 716101 FAX: 01638 716554 EMAIL: Sales@CamdenBoss.com WEB: www.CamdenBoss.com		UNLESS OTHERWISE SPECIFIED: DIMENSIONS ARE IN MILLIMETERS	DO NOT SCALE DRAWING	REVISION. 0			
		GENERAL TOLERANCES +/- 0.2	TITLE: GENERAL ASSEMBLY DRAWING FOR 95x75x35mm BASE & LID ENCLOSURE				
DRAWN	NAME	SIGNED	DATE	MATERIAL.	DWG NO.	7532 Base & Lid Enclosures	A4
CHK'D	MATTHEW WALLACE	MJW	04/08/11	VAR	7532 Base & Lid Enclosures		
				FINISH.	SCALE: 4 : 5		
				MATERIAL.	SHEET 1 OF 1		
				PROJECTION.	