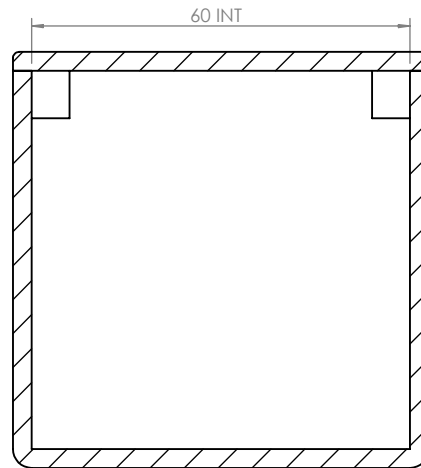
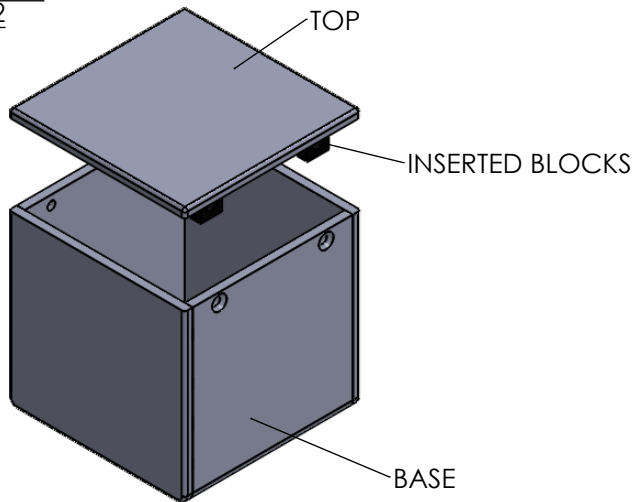



SECTION A-A
SCALE 5 : 6

ISO VIEW
1:2



SECTION B-B
SCALE 5 : 6

 CAMDENBOSS <small>JAMES CARTER RD, MILDENHALL, SUFFOLK, IP28 7DE TEL: 01638 716101 FAX: 01638 716554 EMAIL: Sales@CamdenBoss.com WEB: www.CamdenBoss.com</small>		UNLESS OTHERWISE SPECIFIED: DIMENSIONS ARE IN MILLIMETERS	DO NOT SCALE DRAWING	REVISION. 0		
		GENERAL TOLERANCES +/- 0.2	TITLE: GENERAL ASSEMBLY DRAWING FOR 60x60x60mm BASE & LID ENCLOSURE			
DRAWN	NAME	SIGNED	DATE	MATERIAL.	DWG NO.	A4
CHKD	MATTHEW WALLACE	MJW	04/08/11	VAR	7531 Base & Lid Enclosures	
				FINISH.	SCALE. 5 : 6	SHEET 1 OF 1
				PROJECTION.	