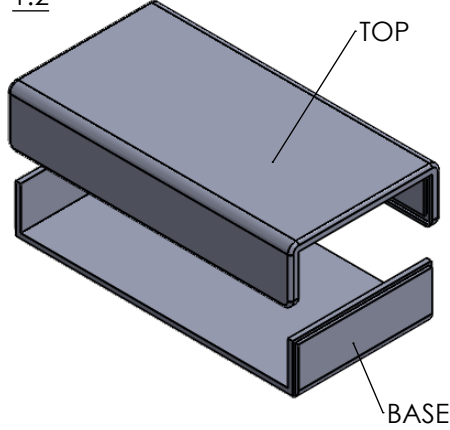




ISO VIEW
1:2



TOP

BASE

 CAMDENBOSS <small>JAMES CARTER RD, MILDENHALL, SUFFOLK, IP28 7DE TEL: 01 638 716101 FAX: 01 638 716554 EMAIL: Sales@CamdenBoss.com WEB: www.CamdenBoss.com</small>		UNLESS OTHERWISE SPECIFIED: DIMENSIONS ARE IN MILLIMETERS	DO NOT SCALE DRAWING	REVISION. O		
		GENERAL TOLERANCES +/- 0.2	TITLE: GENERAL ASSEMBLY DRAWING FOR 100x50x15mm 2-U-SHELL			
DRAWN	NAME M.PRZYBYSZ	SIGNED MP	DATE 09/08/11	MATERIAL. VAR	DWG NO. 7513 Snap Together Enclosures	A4
CHKD	-	-	-	PROJECTION. 	SCALE: 1 : 1	SHEET 1 OF 1