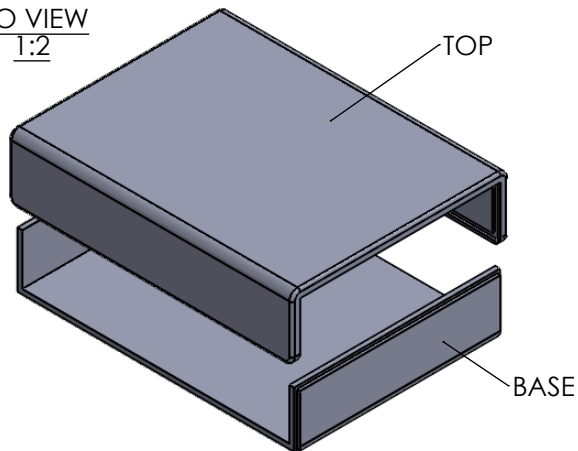




ISO VIEW
1:2



 CAMDENBOSS JAMES CARTER RD, MILDENHALL, SUFFOLK. IP28 7DE TEL: 01638 716101 FAX: 01638 716554 EMAIL: Sales@CamdenBoss.com WEB: www.CamdenBoss.com		UNLESS OTHERWISE SPECIFIED: DIMENSIONS ARE IN MILLIMETERS	DO NOT SCALE DRAWING	REVISION. 0			
		GENERAL TOLERANCES +/- 0.2	TITLE: GENERAL ASSEMBLY DRAWING FOR 100x75x18mm 2-U-SHELL				
DRAWN M.PRZYBYSZ		NAME MP	SIGNED MP	DATE 09/08/11	MATERIAL. VAR	DWG NO. 7512 Snap Together Enclosures	A4
CHKD -	-	-	PROJECTION.		SCALE: 1 : 1	SHEET 1 OF 1	