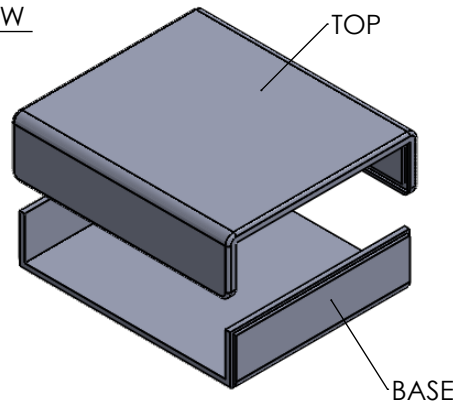




SECTION B-B

ISO VIEW  
1:2



 <b>CAMDENBOSS</b> JAMES CARTER RD, MILDENHALL, SUFFOLK. IP28 7DE TEL: 01638 716101 FAX: 01638 716554 EMAIL: Sales@CamdenBoss.com WEB: www.CamdenBoss.com				UNLESS OTHERWISE SPECIFIED: DIMENSIONS ARE IN MILLIMETERS	DO NOT SCALE DRAWING	REVISION. 0	
				GENERAL TOLERANCES +/- 0.2	TITLE: <b>GENERAL ASSEMBLY DRAWING FOR 75x65x15mm 2-U-SHELL</b>		
DRAWN	NAME M.PRZYBYSZ	SIGNED MP	DATE 09/08/11	FINISH. <b>TEXTURED</b>	MATERIAL. <b>VAR</b>	DWG NO. <b>7511 Snap Together Enclosures</b>	A4
CHKD	-	-	-	PROJECTION.		SCALE: 1 : 1	SHEET 1 OF 1