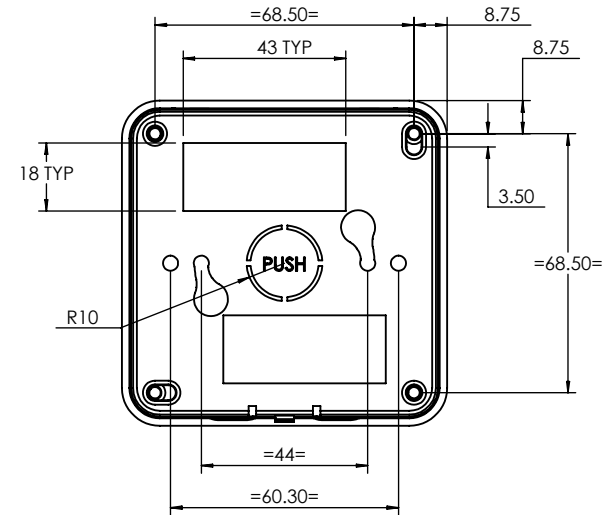
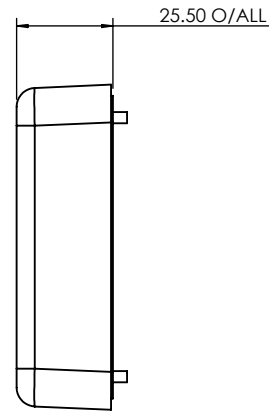
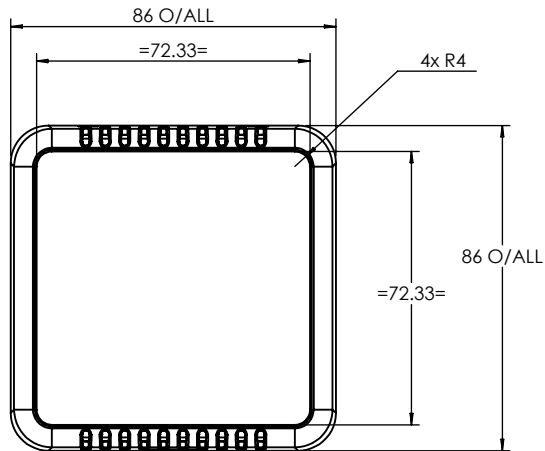
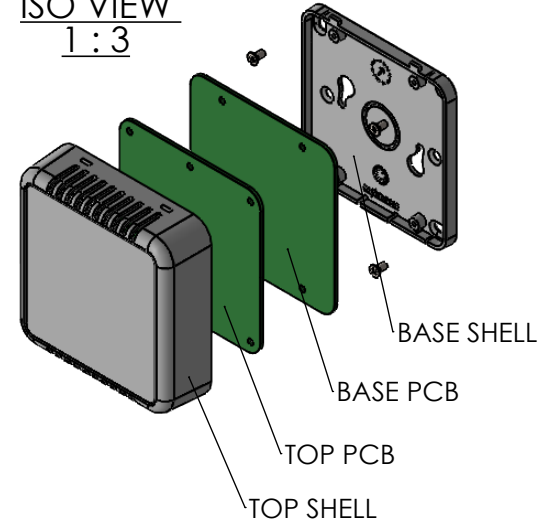


ISO VIEW
1:3



COLOUR	RAL:
BLACK	9005
GREY	7047
WHITE	9003

CAMDENBOSS
CONNECT. ENCLOSE. INNOVATE.

JAMES CARTER RD, MILDENHALL, SUFFOLK. IP28 7DE
TEL: 01638 716101 FAX: 01638 716554
EMAIL: Sales@CamdenBoss.com
WEB: www.CamdenBoss.com

UNLESS OTHERWISE SPECIFIED:
DIMENSIONS ARE IN MILLIMETERS

FINISH:
LIGHT SPARK

COLOUR:
SEE TABLE

GENERAL TOLERANCES +/- 0.2

REVISION: ○

TITLE: **DRAWING FOR VENTED ROOM SENSOR**

DWG NO. **CBRS01Vxx**

	NAME	SIGNED	DATE
DRAWN	IAN PAGANO	I.P.	05/01/14
CHK'D	MATHEW WALLACE	M.J.W.	05/01/14

MATERIAL:
ABS UL 94 - V0

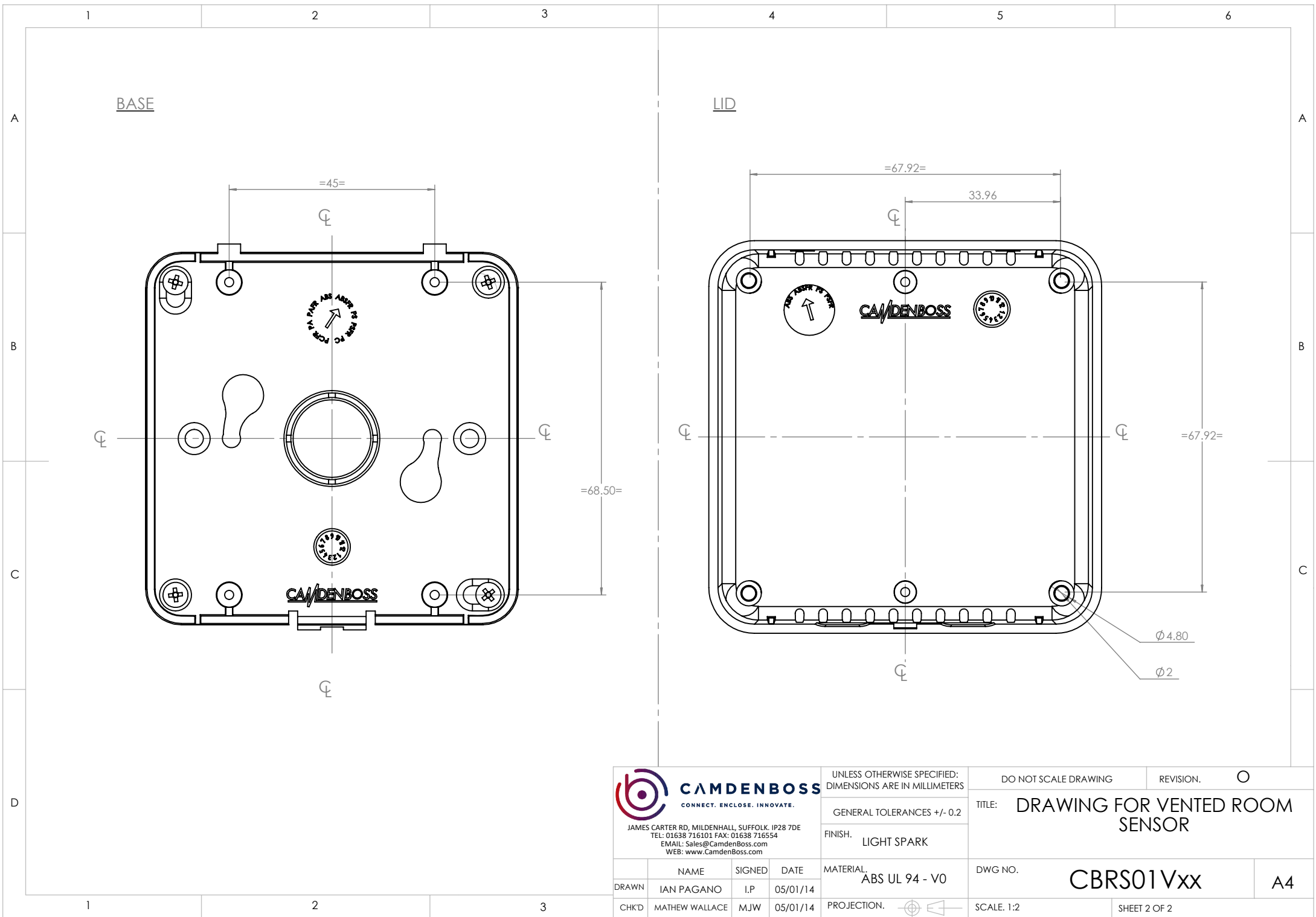
PROJECTION:



SCALE: 1:2

SHEET 1 OF 2

DO NOT SCALE DRAWING

A4



 CAMDENBOSS CONNECT. ENCLOSE. INNOVATE.		UNLESS OTHERWISE SPECIFIED: DIMENSIONS ARE IN MILLIMETERS		DO NOT SCALE DRAWING		REVISION. ○	
		GENERAL TOLERANCES +/- 0.2		TITLE: DRAWING FOR VENTED ROOM SENSOR			
		FINISH. LIGHT SPARK		MATERIAL. ABS UL 94 - V0		DWG NO. CBR01Vxx	
JAMES CARTER RD, MILDENHALL, SUFFOLK. IP28 7DE TEL: 01638 716101 FAX: 01638 716554 EMAIL: Sales@CamdenBoss.com WEB: www.CamdenBoss.com		NAME	SIGNED	DATE	SCALE: 1:2		
DRAWN	IAN PAGANO	I.P.	05/01/14	PROJECTION. 		SHEET 2 OF 2	
CHK'D	MATHEW WALLACE	M.J.W.	05/01/14			A4	