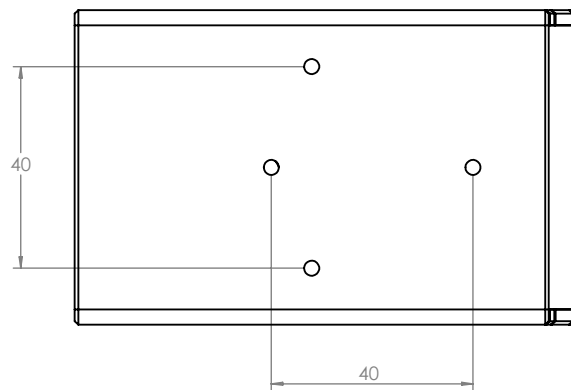
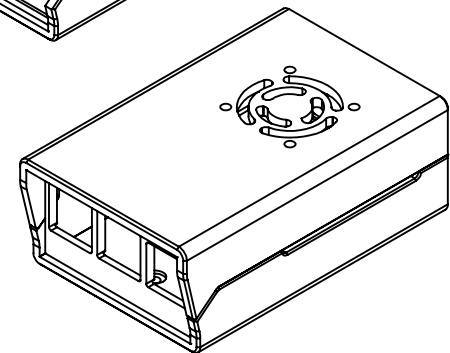
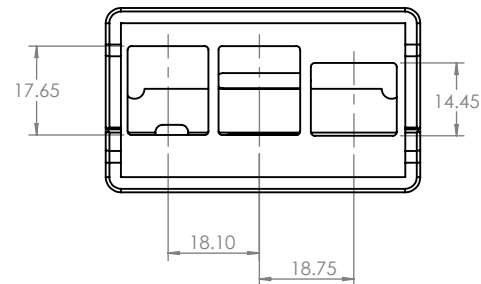
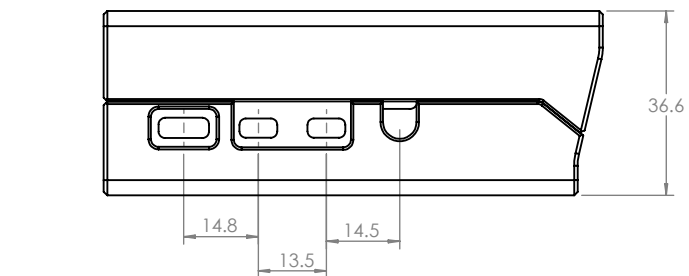


ISO VIEW
1:2



HOLES FOR CDR-BRACKET
(NOT SUPPLIED)

END PANEL COLOUR	TOP AND BASE COLOUR	PART NUMBER
WHITE	BLACK	CBRPI4B-4P-BK
GREY	WHITE	CBRPI4B-4P-WH
WHITE	DARK GREY	CBRPI4B-4P-DG
WHITE	GLOSS WHITE	CBRPI4B-4P-GW



CAMDENBOSS
CONNECT. ENCLOSE. INNOVATE.

JAMES CARTER RD, MILDENHALL, SUFFOLK. IP28 7DE
TEL: 01638 716101 FAX: 01638 716554
EMAIL: Sales@CamdenBoss.com
WEB: www.CamdenBoss.com

UNLESS OTHERWISE SPECIFIED:
DIMENSIONS ARE IN MILLIMETERS

GENERAL TOLERANCES +/- 0.2

REVISION. **A**

FINISH.
TEXTURED

TITLE: **DRAWING FOR 4 PART Pi 4 CASE**

COLOUR.
SEE TABLE

MATERIAL.
3mm HIPS

DWG NO.

CBRPI4B-4P-xx

A4

	NAME	SIGNED	DATE
DRAWN	IAN PAGANO	I.P.	03/07/19
CHK'D	STUART HARDINGE	S.H.	03/07/19

PROJECTION.

SCALE: 2:3

SHEET 1 OF 1

DO NOT SCALE DRAWING