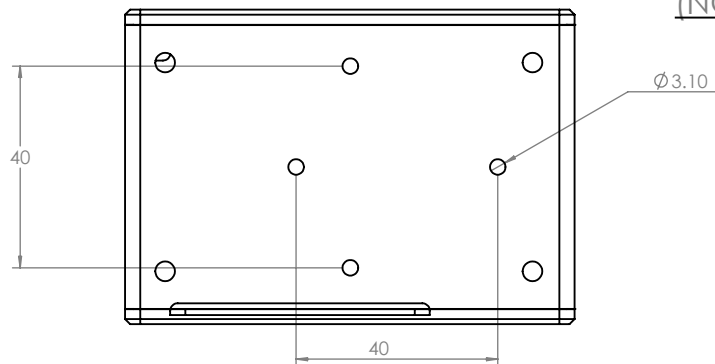


HOLES FOR CDR-BRACKET
(NOT SUPPLIED)



| COLOUR | PART NUMBER |
|-----------|-------------------|
| BLACK | CBRPI4B-2U-NFV-BK |
| WHITE | CBRPI4B-2U-NFV-WH |
| DARK GREY | CBRPI4B-2U-NFV-DG |

4x RUBBER FEET SUPPLIED

CAMDENBOSS
CONNECT. ENCLOSE. INNOVATE.

JAMES CARTER RD, MILDENHALL, SUFFOLK. IP28 7DE
TEL: 01638 716101 FAX: 01638 716554
EMAIL: Sales@CamdenBoss.com
WEB: www.CamdenBoss.com

| | NAME | SIGNED | DATE |
|-------|----------------|--------|----------|
| DRAWN | IAN PAGANO | I.P. | 03/07/19 |
| CHK'D | STUART HARDING | S.H. | 03/07/19 |

| | |
|--|-----------|
| UNLESS OTHERWISE SPECIFIED: DIMENSIONS ARE IN MILLIMETERS | |
| FINISH. | TEXTURED |
| COLOUR. | SEE TABLE |
| MATERIAL. | 3mm HIPS |
| PROJECTION. | |

| | | |
|----------------------------|---------------------------|----------------------|
| GENERAL TOLERANCES +/- 0.2 | REVISION. | A |
| TITLE: | DRAWING FOR 2 U Pi 4 CASE | |
| DWG NO. | CBRPI4B-2U-NFV-xx | A4 |
| SCALE: 2:3 | SHEET 1 OF 1 | DO NOT SCALE DRAWING |