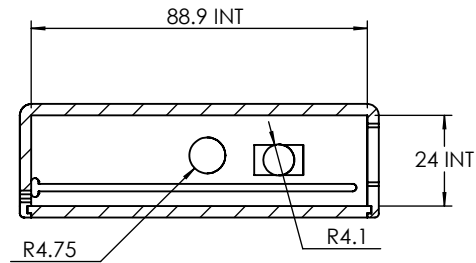
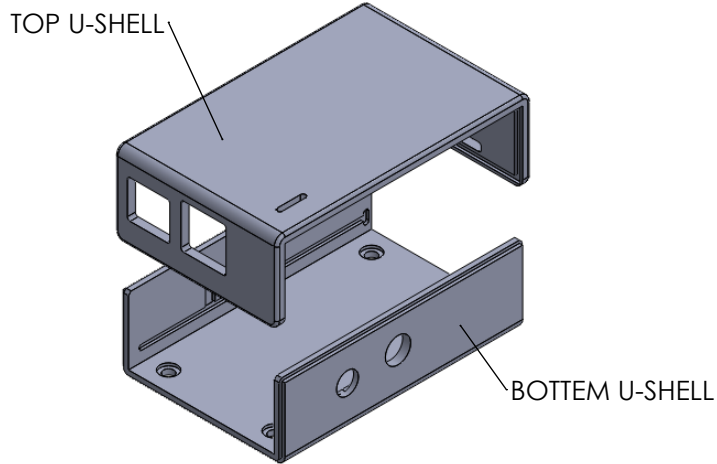


ISO VIEW
2:3



<p>CAMDENBOSS ELECTRONICS & ENCLOSURES</p> <p>JAMES CARTER RD, MILDENHALL, SUFFOLK. IP28 7DE TEL: 01638 716101 FAX: 01638 716554 EMAIL: Sales@CamdenBoss.com WEB: www.CamdenBoss.com</p>				UNLESS OTHERWISE SPECIFIED: DIMENSIONS ARE IN MILLIMETERS		DO NOT SCALE DRAWING		REVISION. <input type="checkbox"/>	
				GENERAL TOLERANCES +/- 0.2		TITLE: GENRAL ASSEMBLY DRAWING FOR RASPBERRY PI ENCLOSURE			
				FINISH. GLOSS		DWG NO. CBRPI		A4	
DRAWN		NAME	SIGNED	DATE	MATERIAL. 3MM THK VAR		SCALE. 1:2		SHEET 1 OF 1
CHK'D		-	-	-	PROJECTION.				