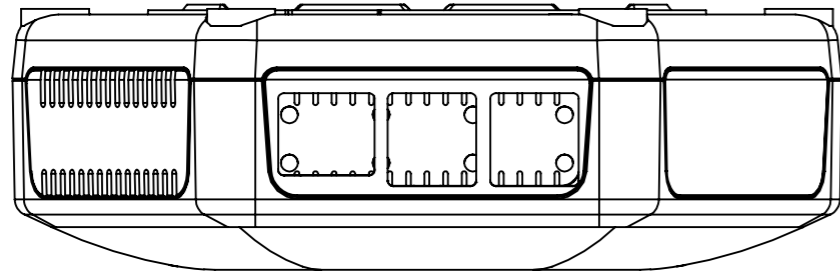


ASSEMBLY SHOWS BOTH:  
RUBBER FEET AND BRACKET OPTION  
NOT INCLUDED IN STANDARD PRODUCT



WALL MOUNT BRACKET  
& MOUNTING NUTS

RUBBER FEET

SOLID and VENTED  
PANEL OPTIONS

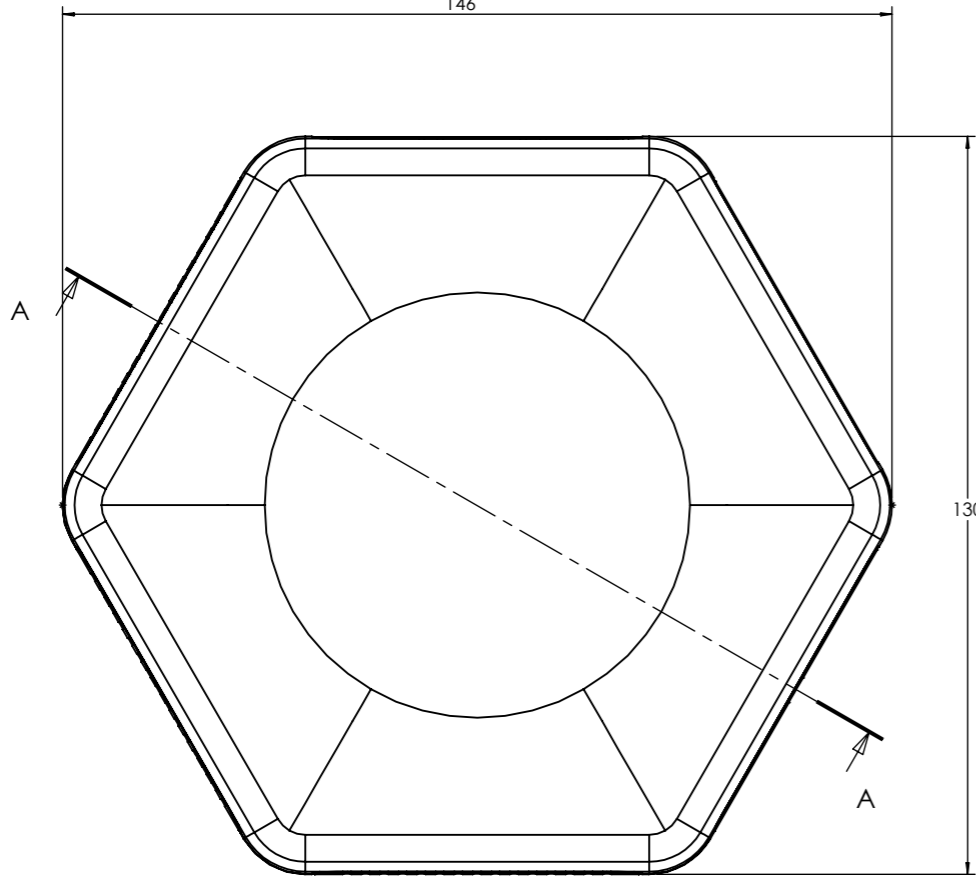
TOP

BASE

END PANLE  
WITH PI CUT OUT

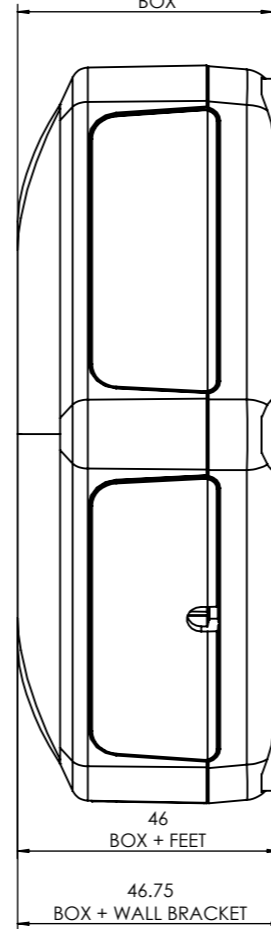
END PANLE  
WITH POWER  
CUT OUT

146



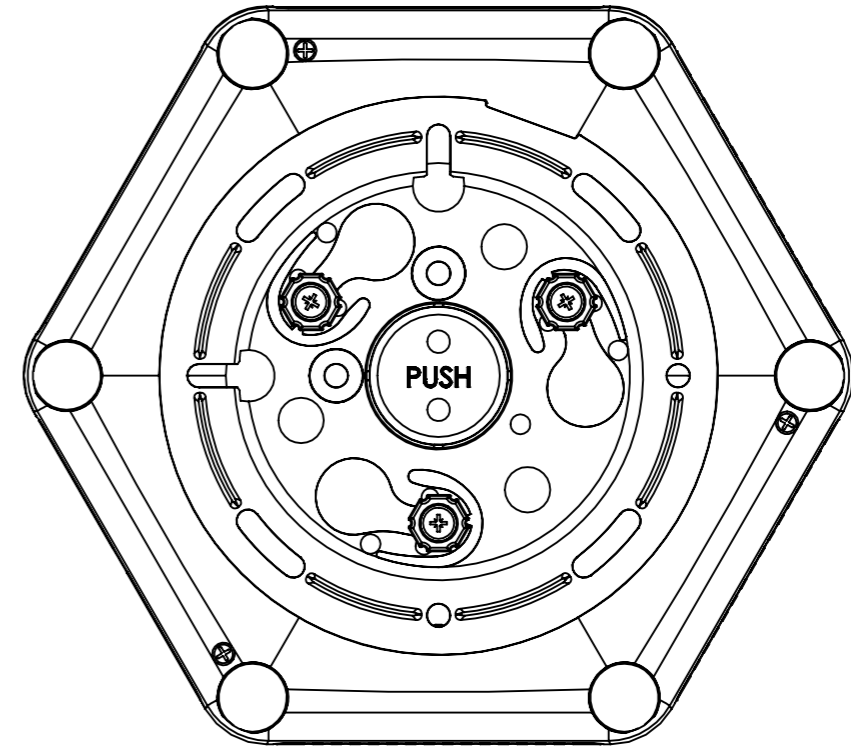
130

45  
BOX



46  
BOX + FEET

46.75  
BOX + WALL BRACKET



COLOUR:	RAL:
BLACK	9005
GREY	7047
WHITE	9003

REVISION	DATE	ECR	DESCRIPTION	I.PAGANO NAME	S.HARDINGE CHK'D
A	14/12/20	-	FIRST DRAWN	I.PAGANO	S.HARDINGE



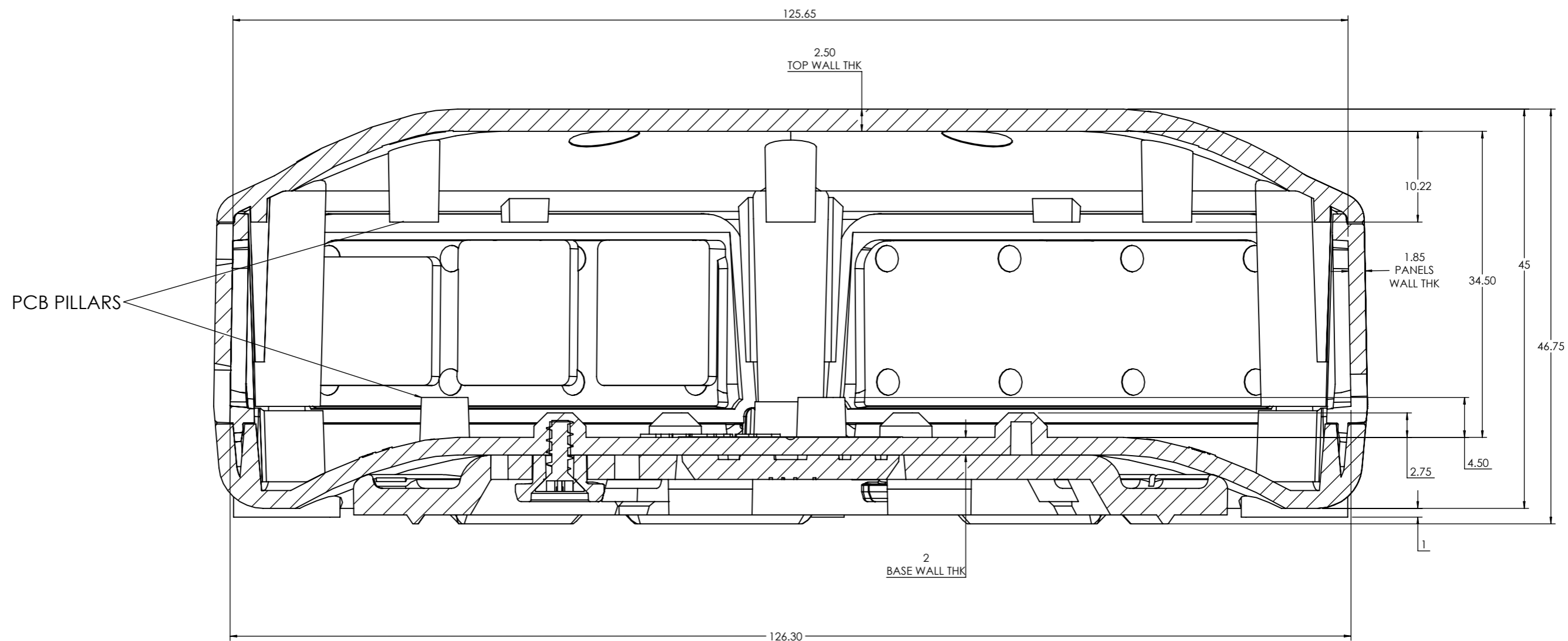
DRAWING UNITS: MILLIMETERS  
TOLERANCES: +/-0.2

COLOUR: SEE TABLE  
FINISH: TEXTURED TO VDI 30  
MATERIAL: ABS


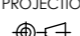
DEBURR AND BREAK SHARP EDGES  
DO NOT SCALE DRAWING  
TITLE: DRAWING FOR HEX BOX  
DWG NO. CBHEX-Pi4-xx

SCALE: 2:5  
SHEET 1 OF 5  
A3

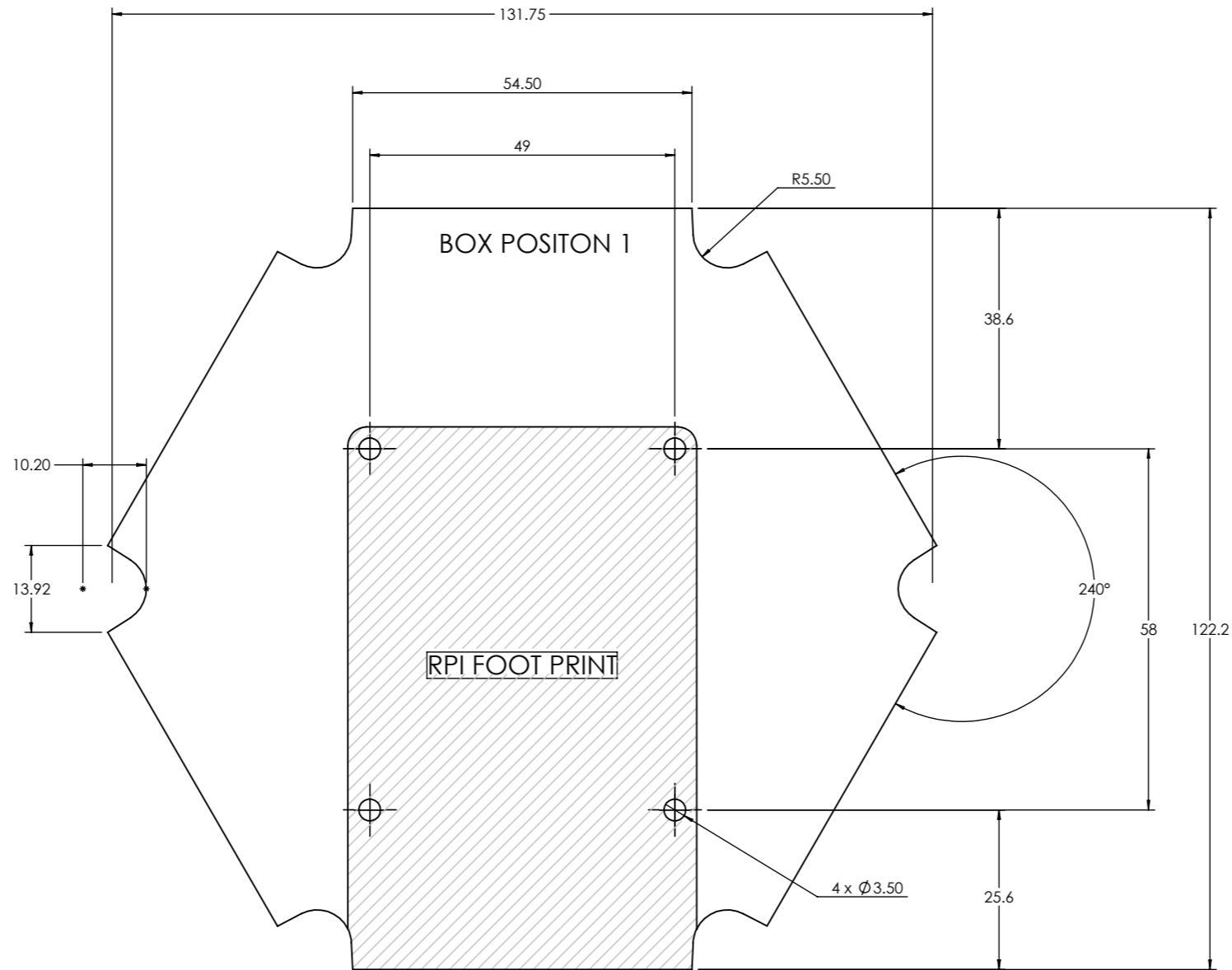
ASSEMBLY SHOWS BOTH:  
RUBBER FEET AND BRACKET OPTION  
NOT INCLUDED IN STANDARD PRODUCT




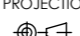
SECTION A-A  
SCALE 2 : 1

 <b>CAMDENBOSS</b> <small>CONNECT. ENCLOSE. INNOVATE.</small>	COLOUR: SEE TABLE	DEBURR AND BREAK SHARP EDGES	DO NOT SCALE DRAWING	<b>SCALE:</b> 2:5 SHEET 2 OF 5
	FINISH: TEXTURED TO VDI 30	TITLE: DRAWING FOR HEX BOX		
DRAWING UNITS: MILLIMETERS TOLERANCES: +/-0.2	PROJECTION 	MATERIAL: ABS	DWG NO. CBHEX-Pi4-xx	<b>A3</b>

BASE PCB DIMENSIONS



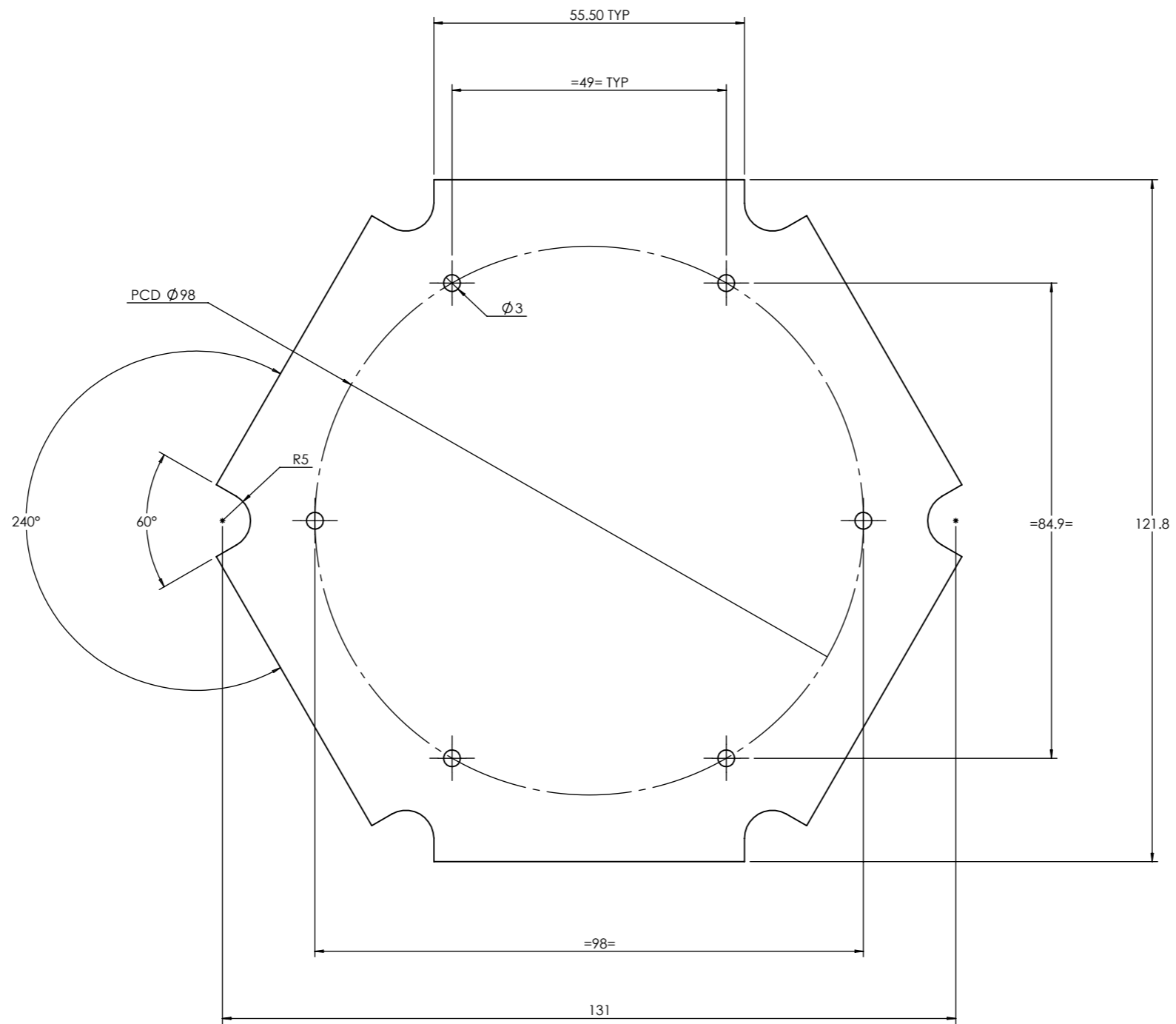
NOTE: PCB FIXINGS ARE OFF CENTRE, TO SUIT RASPBERRY Pi

 <b>CAMDENBOSS</b> <small>CONNECT. ENCLOSE. INNOVATE.</small>	COLOUR: SEE TABLE	DEBURR AND BREAK SHARP EDGES	DO NOT SCALE DRAWING	SCALE: 2:5 SHEET 3 OF 5
	FINISH: TEXTURED TO VDI 30	TITLE: DRAWING FOR HEX BOX		
DRAWING UNITS: MILLIMETERS TOLERANCES: +/-0.2	PROJECTION 	MATERIAL: ABS	DWG NO. CBHEX-Pi4-xx	A3

8 7 6 5 4 3 2 1


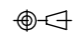
F  
E  
D  
C  
B  
A

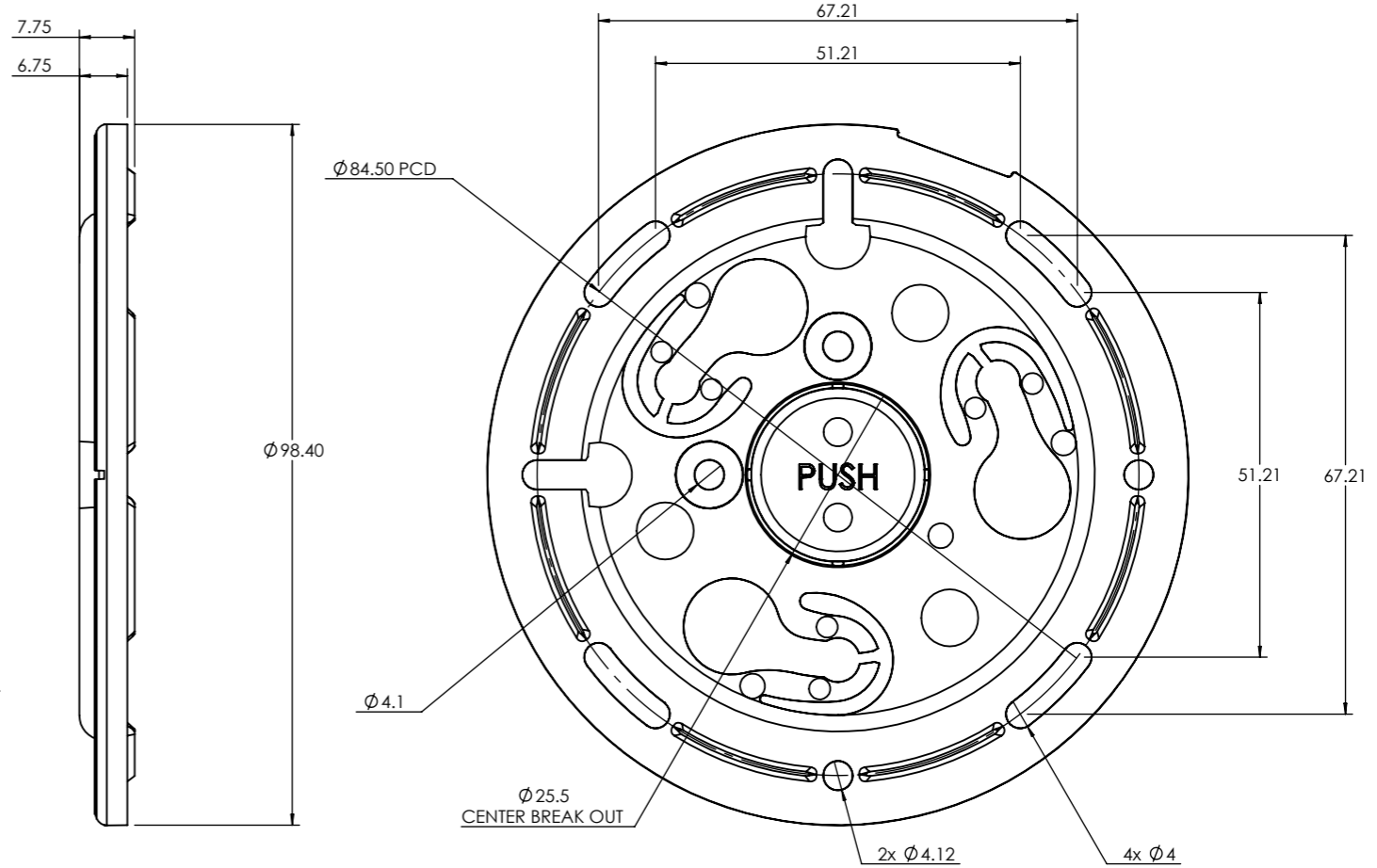
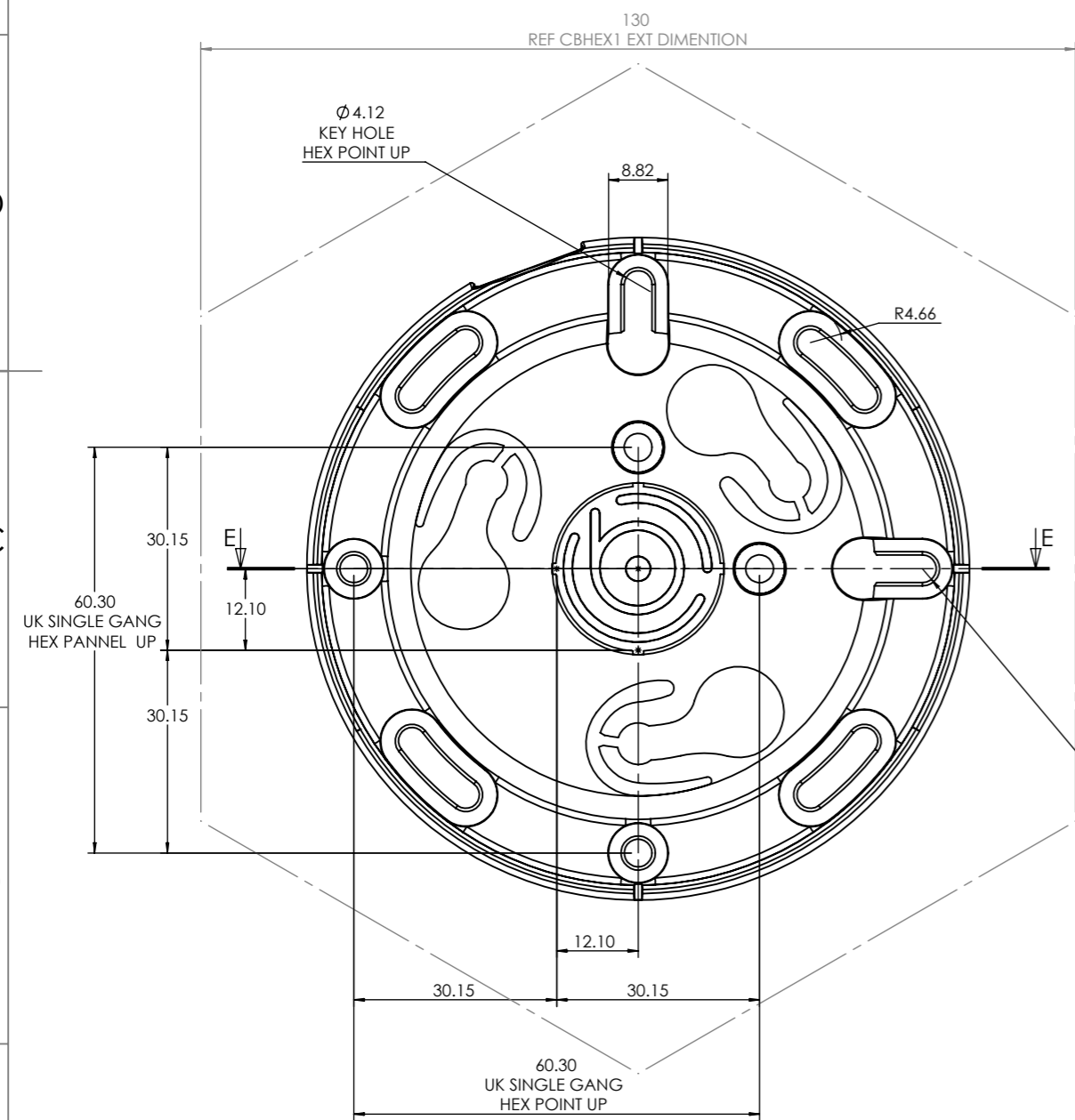
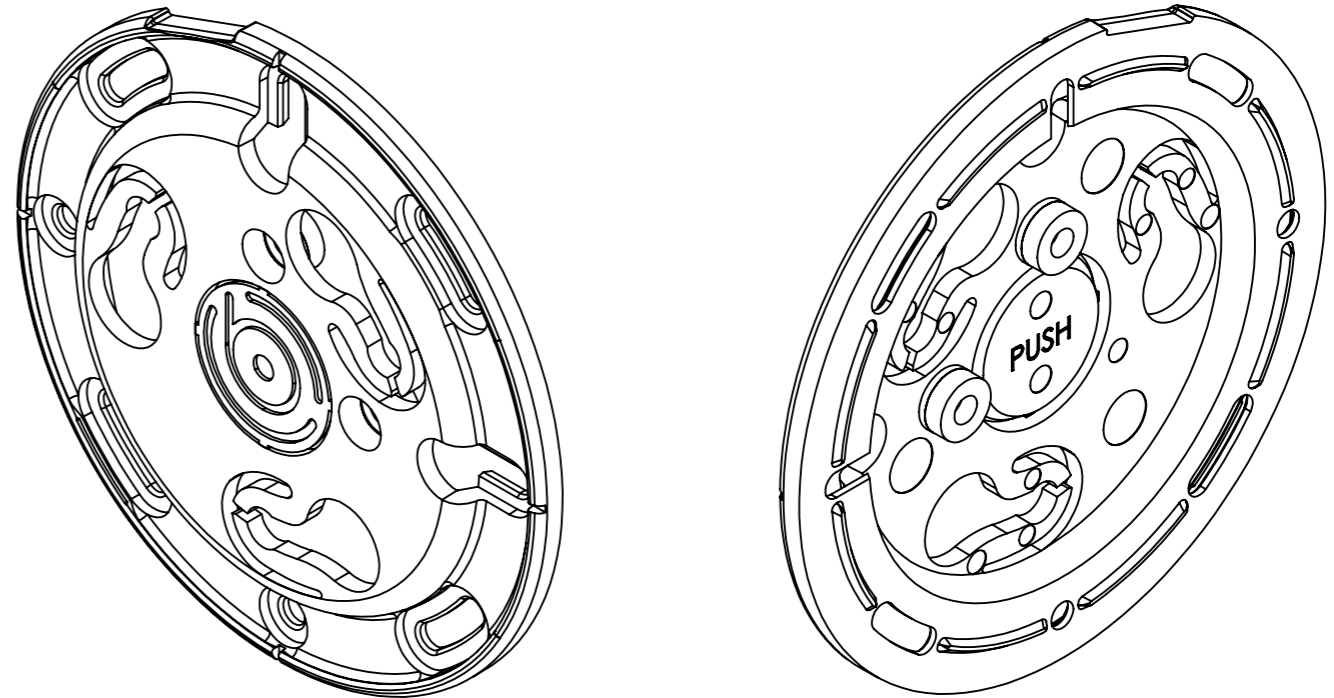
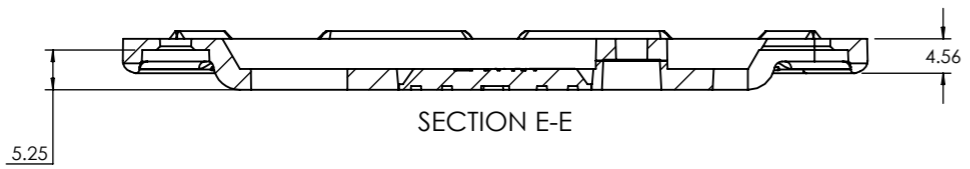
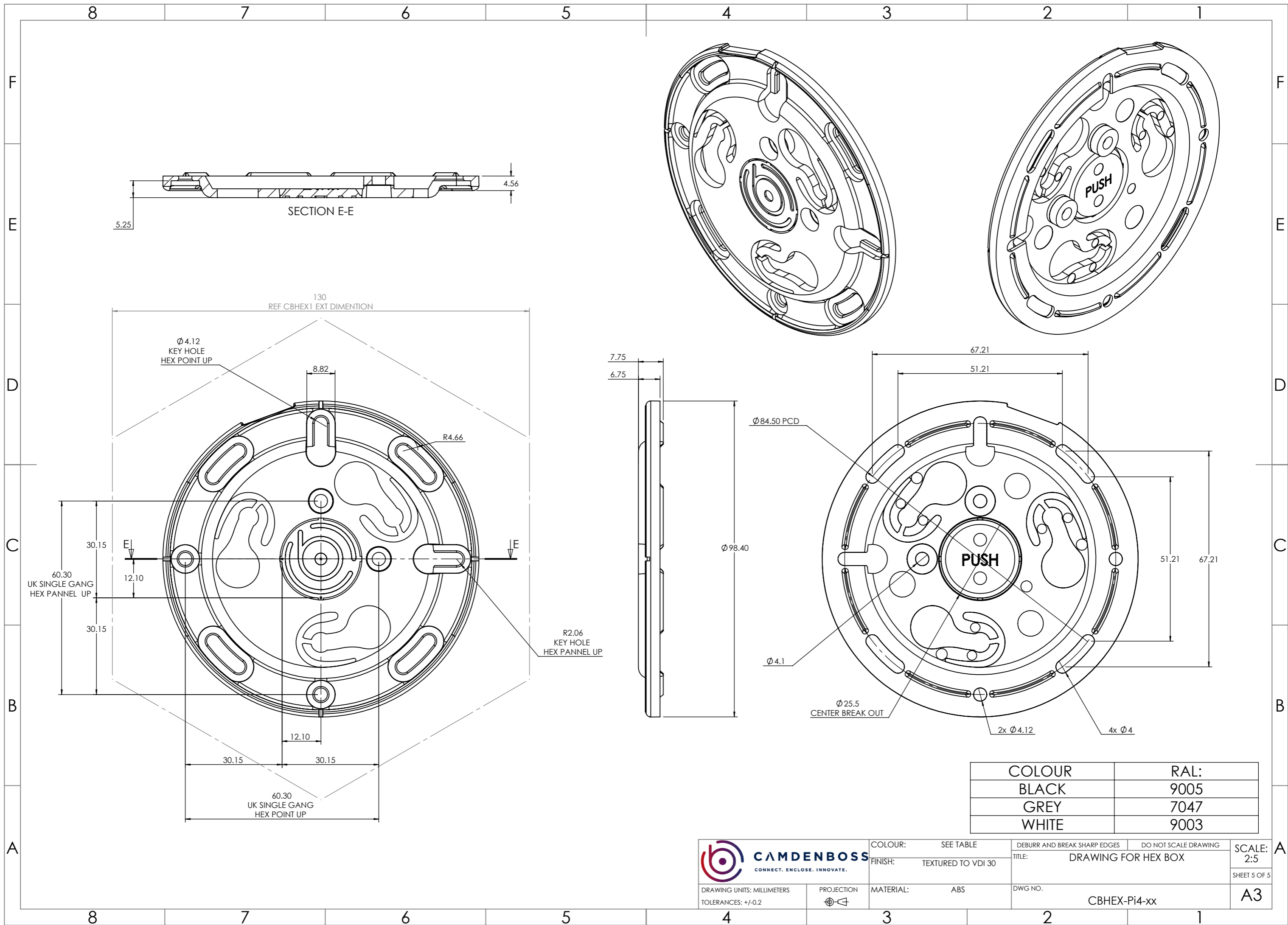
# TOP PCB DIMENSIONS



F  
E  
D  
C  
B  
A

8 7 6 5 4 3 2 1

 <b>CAMDENBOSS</b> <small>CONNECT. ENCLOSE. INNOVATE.</small>	COLOUR: SEE TABLE	DEBURR AND BREAK SHARP EDGES	DO NOT SCALE DRAWING	<b>SCALE:</b> 2:5 <small>SHEET 4 OF 5</small>
	FINISH: TEXTURED TO VDI 30	TITLE: DRAWING FOR HEX BOX		
<small>DRAWING UNITS: MILLIMETERS</small> <small>TOLERANCES: +/-0.2</small>	<small>PROJECTION</small> 	MATERIAL: ABS	<small>DWG NO.</small> CBHEX-Pi4-xx	<b>A3</b>



COLOUR	RAL:
BLACK	9005
GREY	7047
WHITE	9003

<p><b>CAMDENBOSS</b> CONNECT. ENCLOSE. INNOVATE.</p>	COLOUR: SEE TABLE	DEBURR AND BREAK SHARP EDGES	DO NOT SCALE DRAWING	SCALE: 2:5
	FINISH: TEXTURED TO VDI 30	TITLE: DRAWING FOR HEX BOX		
DRAWING UNITS: MILLIMETERS TOLERANCES: +/-0.2	PROJECTION	MATERIAL: ABS	DWG NO. CBHEX-Pi4-xx	SHEET 5 OF 5 <b>A3</b>