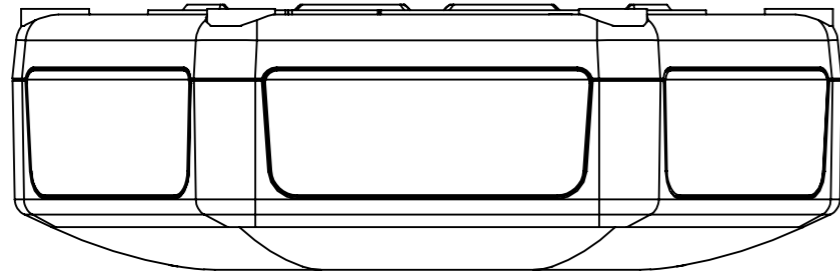


ASSEMBLY SHOWS BOTH:
RUBBER FEET AND BRACKET OPTION
NOT INCLUDED IN STANDARD PRODUCT



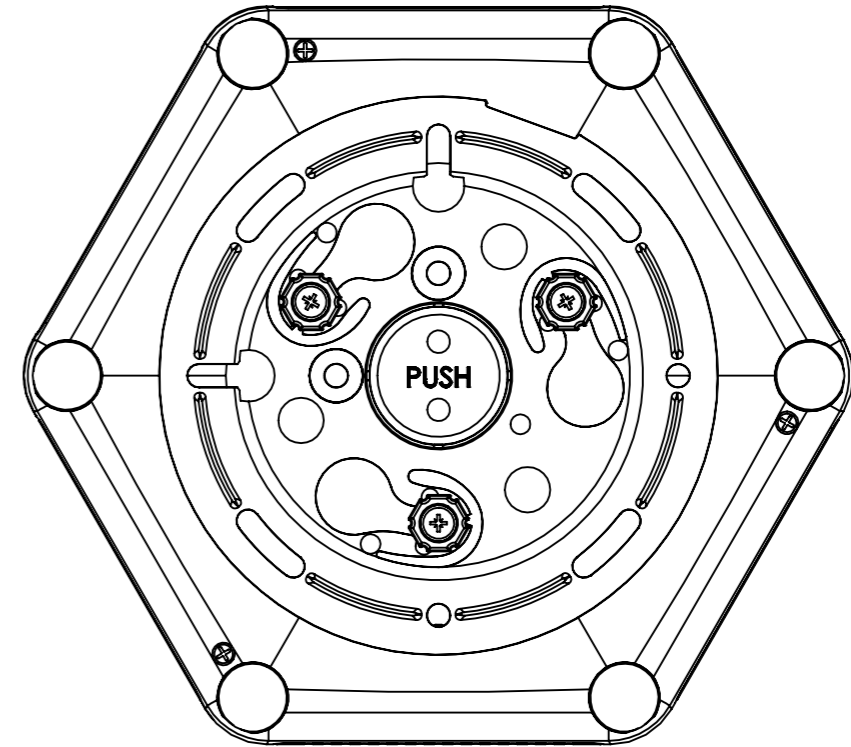
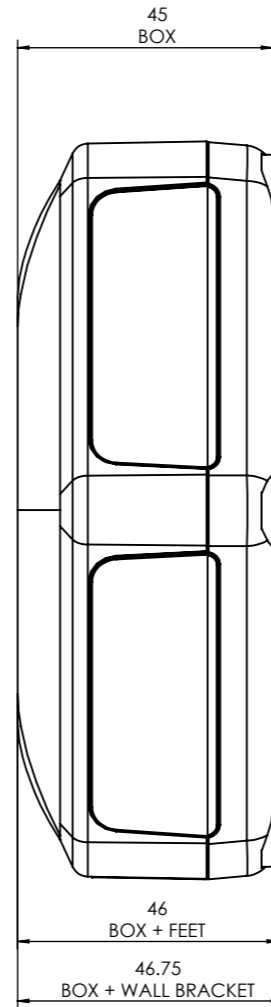
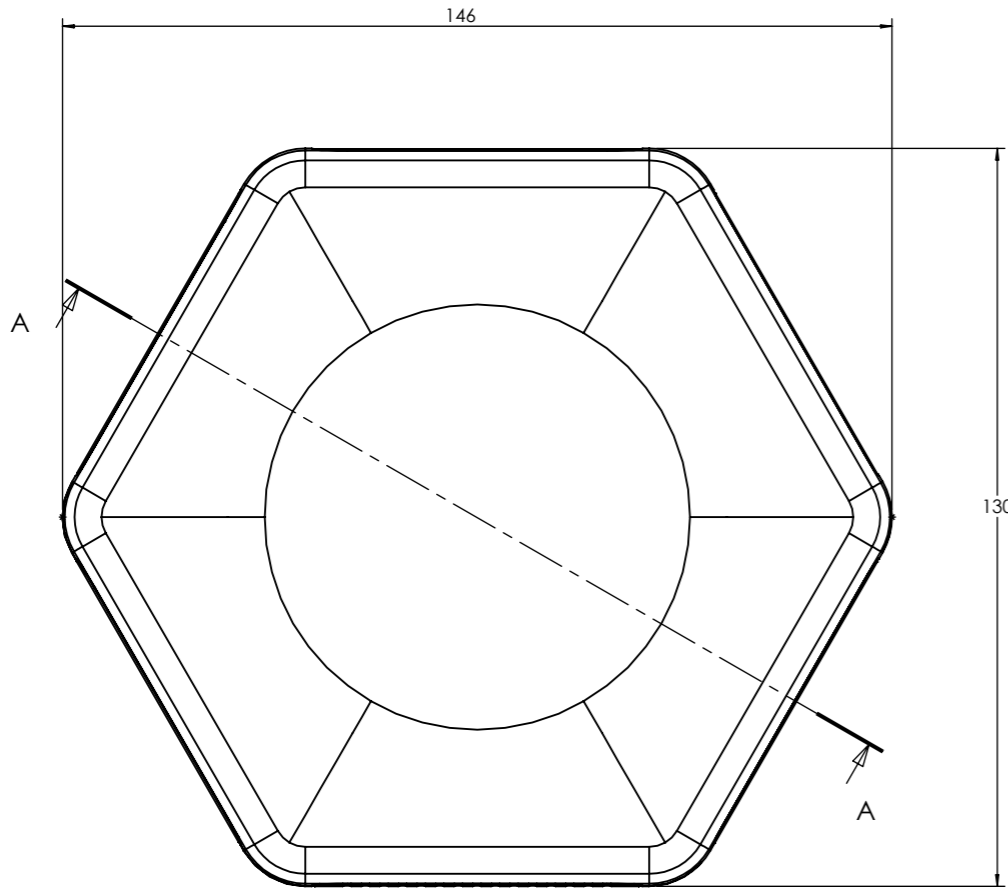
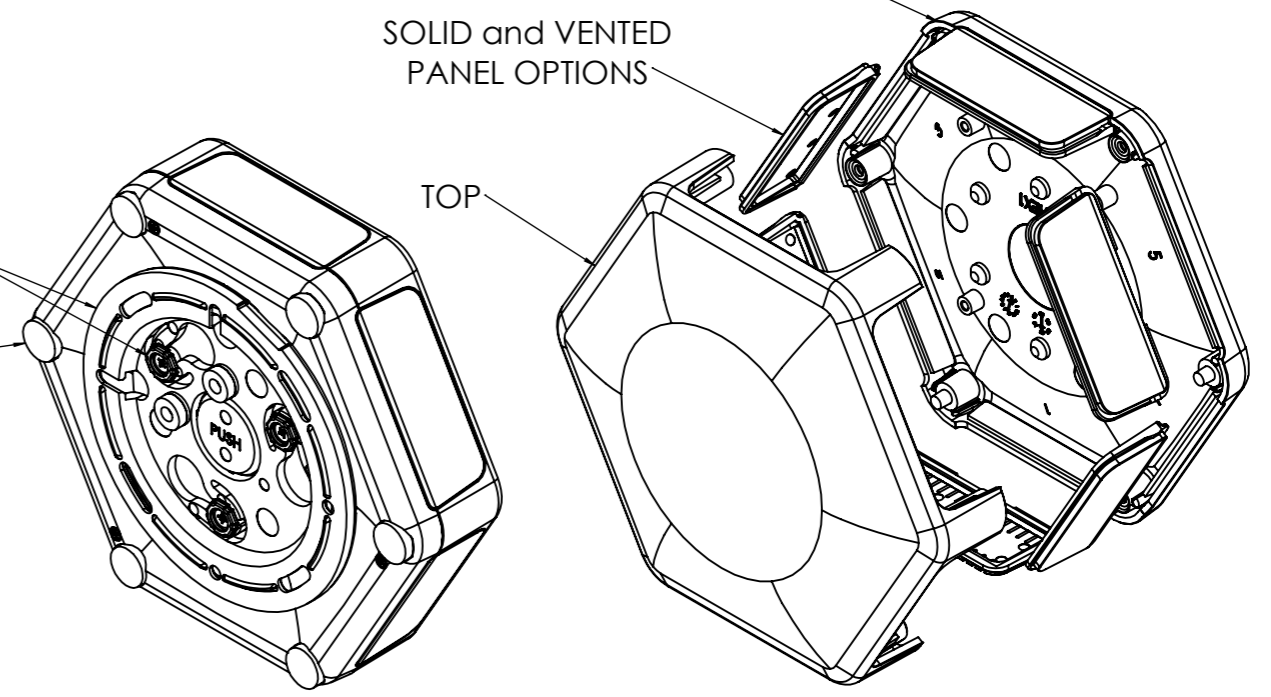
WALL MOUNT BRACKET
& MOUNTING NUTS

RUBBER FEET

SOLID and VENTED
PANEL OPTIONS

TOP

BASE



COLOUR:	RAL:
BLACK	9005
GREY	7047
WHITE	9003

REVISION	DATE	ECR	DESCRIPTION	I.PAGANO NAME	S.HARDINGE CHK'D
A	14/12/20	-	FIRST DRAWN	I.PAGANO	S.HARDINGE

CAMDENBOSS
CONNECT. ENCLOSE. INNOVATE.

DRAWING UNITS: MILLIMETERS
TOLERANCES: +/-0.2

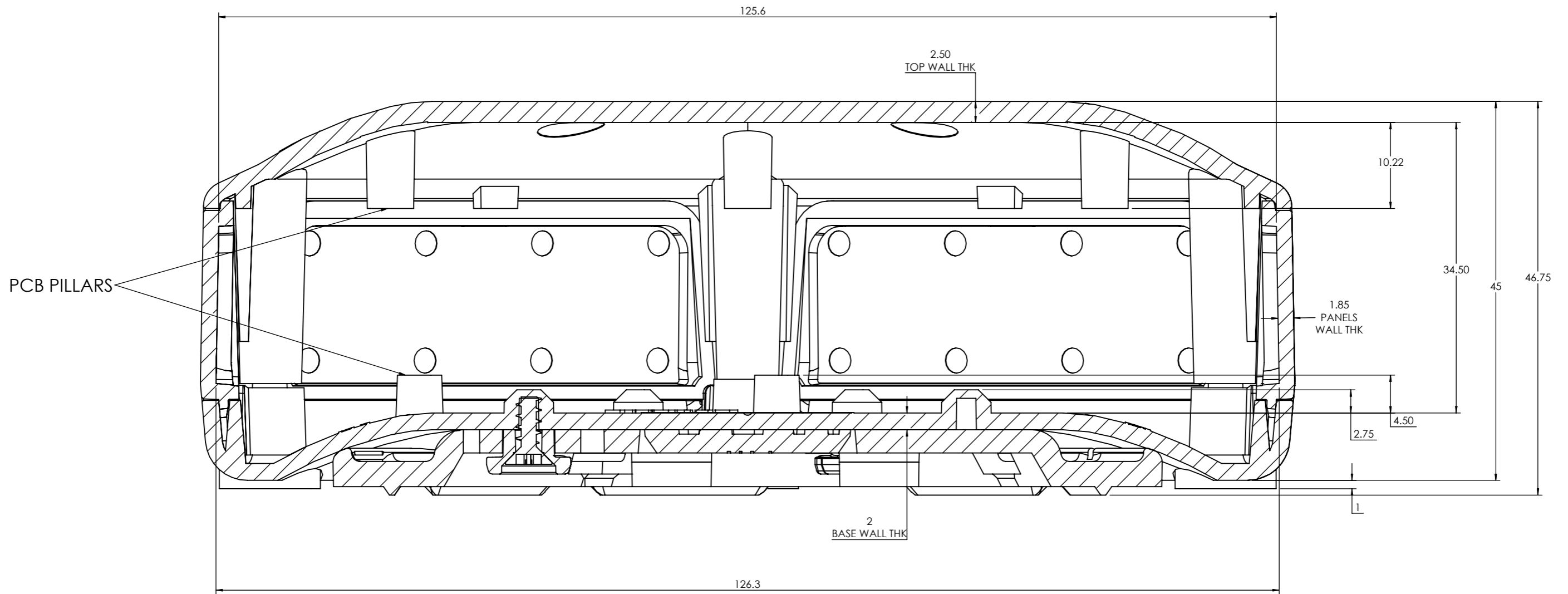
PROJECTION

COLOUR:	SEE TABLE
FINISH:	TEXTURED TO VDI 30
MATERIAL:	ABS

DEBURR AND BREAK SHARP EDGES	DO NOT SCALE DRAWING
TITLE:	DRAWING FOR HEX BOX
DWG NO.	CBHEX

SCALE:	2:5
SHEET 1 OF 5	A3

ASSEMBLY SHOWS BOTH:
RUBBER FEET AND BRACKET OPTION
NOT INCLUDED IN STANDARD PRODUCT



SECTION A-A
SCALE 2 : 1



DRAWING UNITS: MILLIMETERS
TOLERANCES: +/-0.2

PROJECTION

COLOUR: SEE TABLE

FINISH: TEXTURED TO VDI 30

MATERIAL: ABS

DEBURR AND BREAK SHARP EDGES

TITLE: DRAWING FOR HEX BOX

DWG NO.

CBHEX

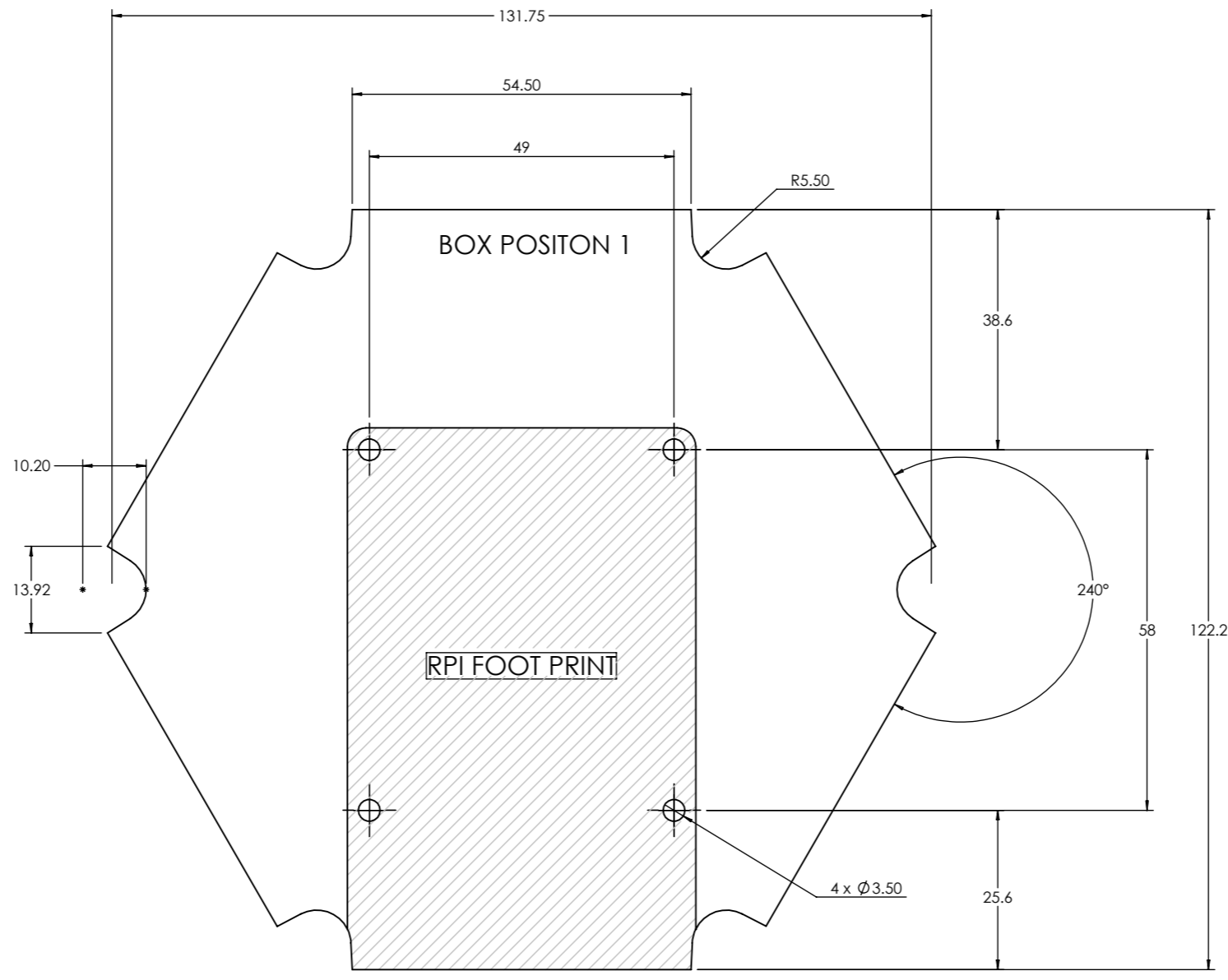
DO NOT SCALE DRAWING

SCALE:
2:5


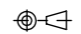
SHEET 2 OF 5

A3

BASE PCB DIMENSIONS



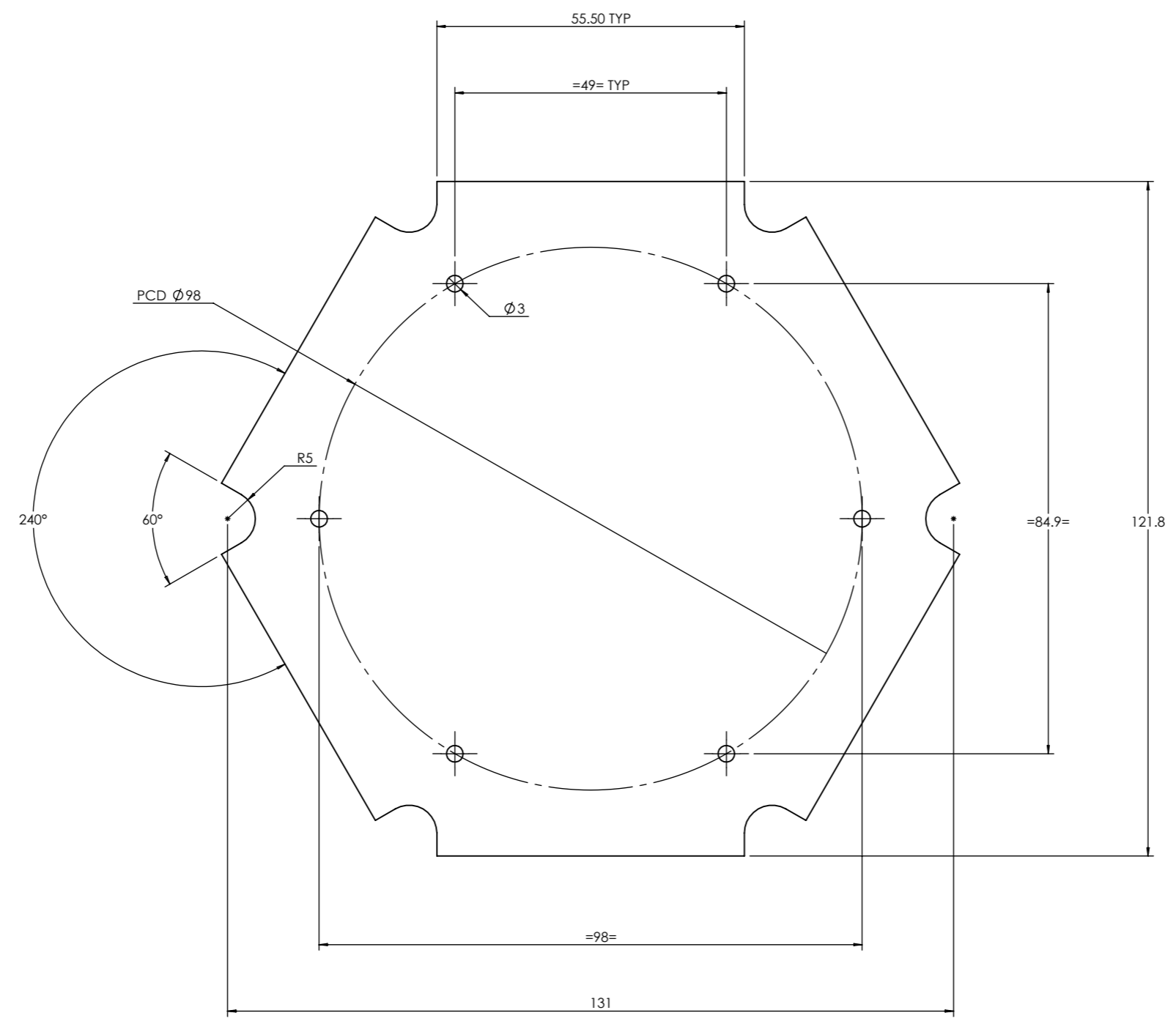
NOTE: PCB FIXINGS ARE OFF CENTRE, TO SUIT RASPBERRY PI

 CAMDENBOSS <small>CONNECT. ENCLOSE. INNOVATE.</small>	COLOUR: SEE TABLE	DEBURR AND BREAK SHARP EDGES	DO NOT SCALE DRAWING	SCALE: 2:5 SHEET 3 OF 5
	FINISH: TEXTURED TO VDI 30	TITLE: DRAWING FOR HEX BOX		
DRAWING UNITS: MILLIMETERS TOLERANCES: +/-0.2	PROJECTION 	MATERIAL: ABS	DWG NO. CBHEX	A3

8 7 6 5 4 3 2 1


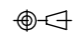
F
E
D
C
B
A

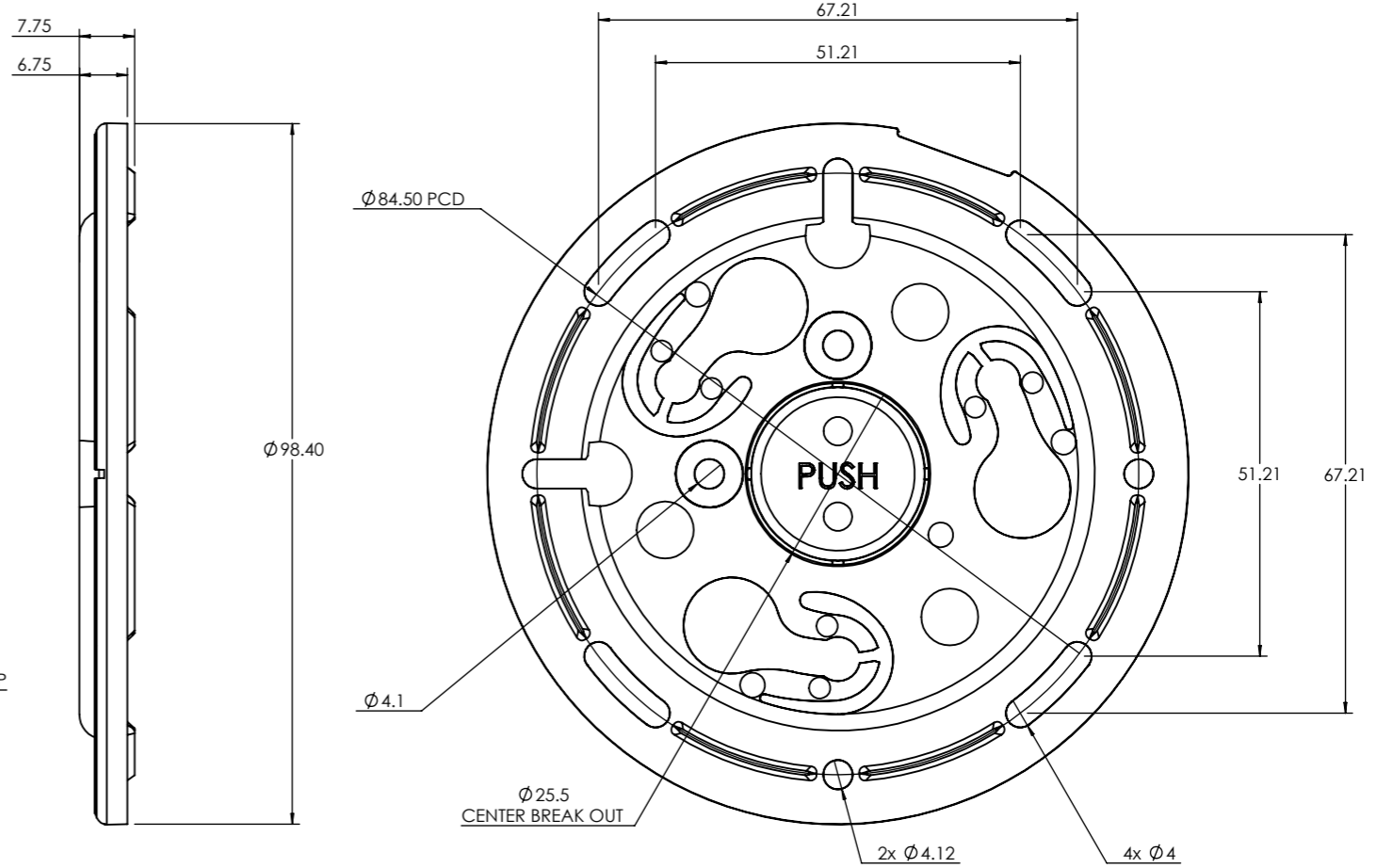
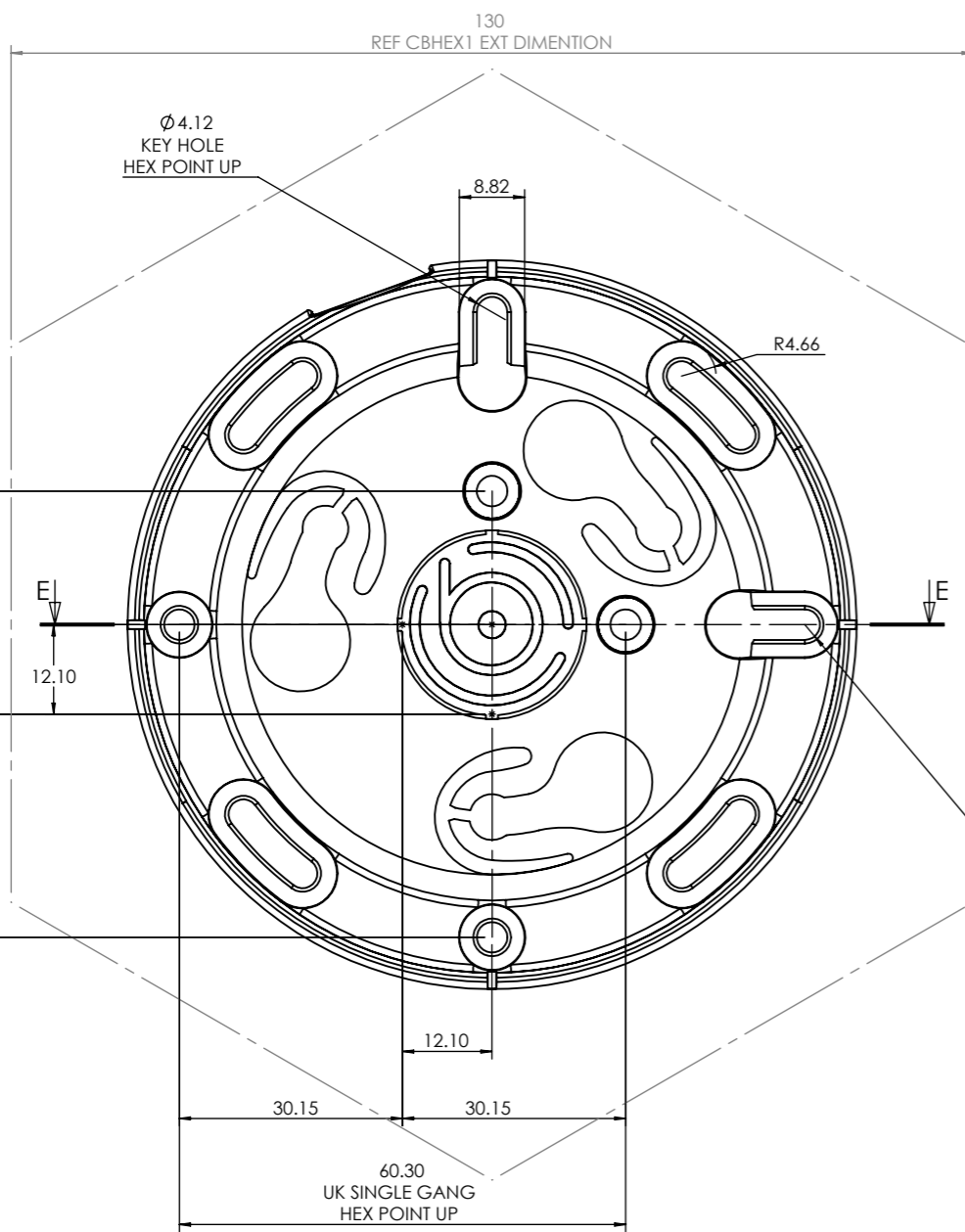
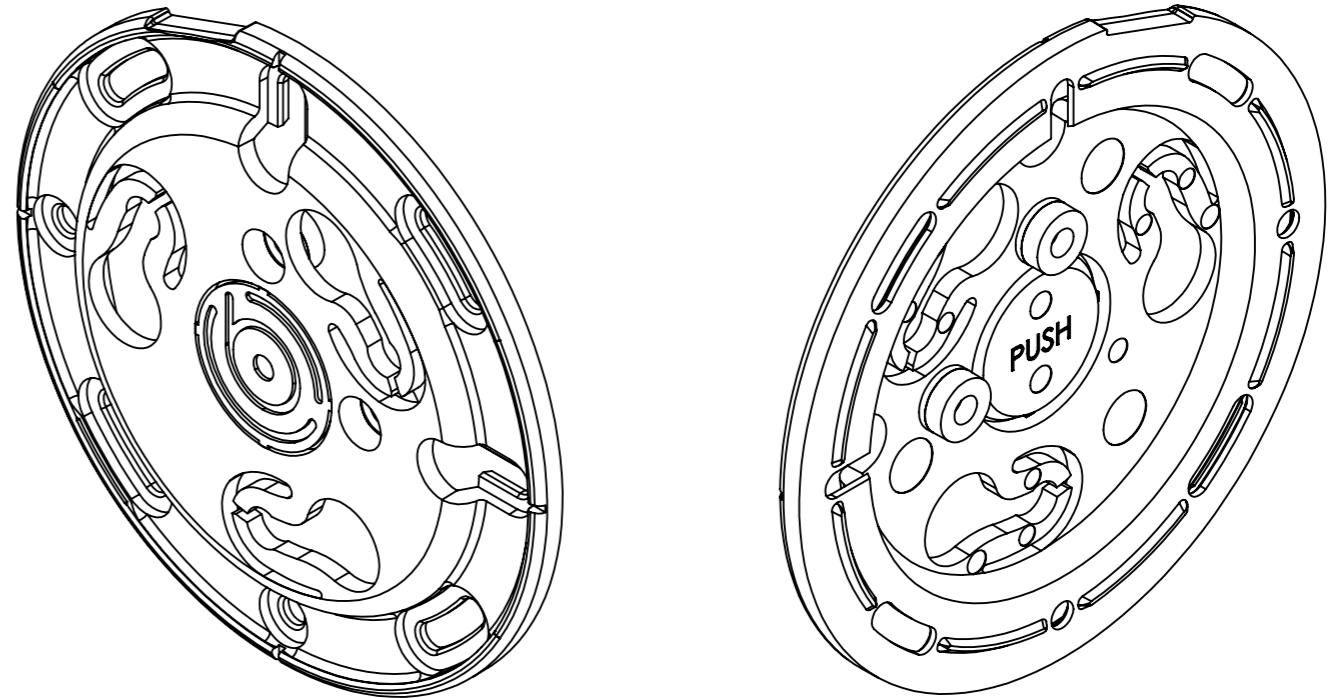
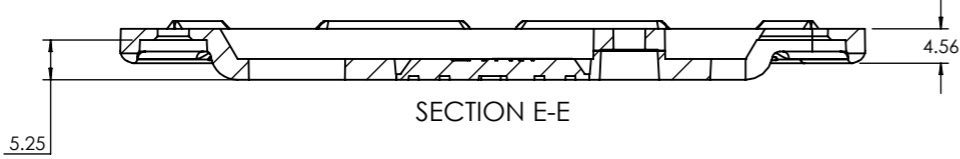
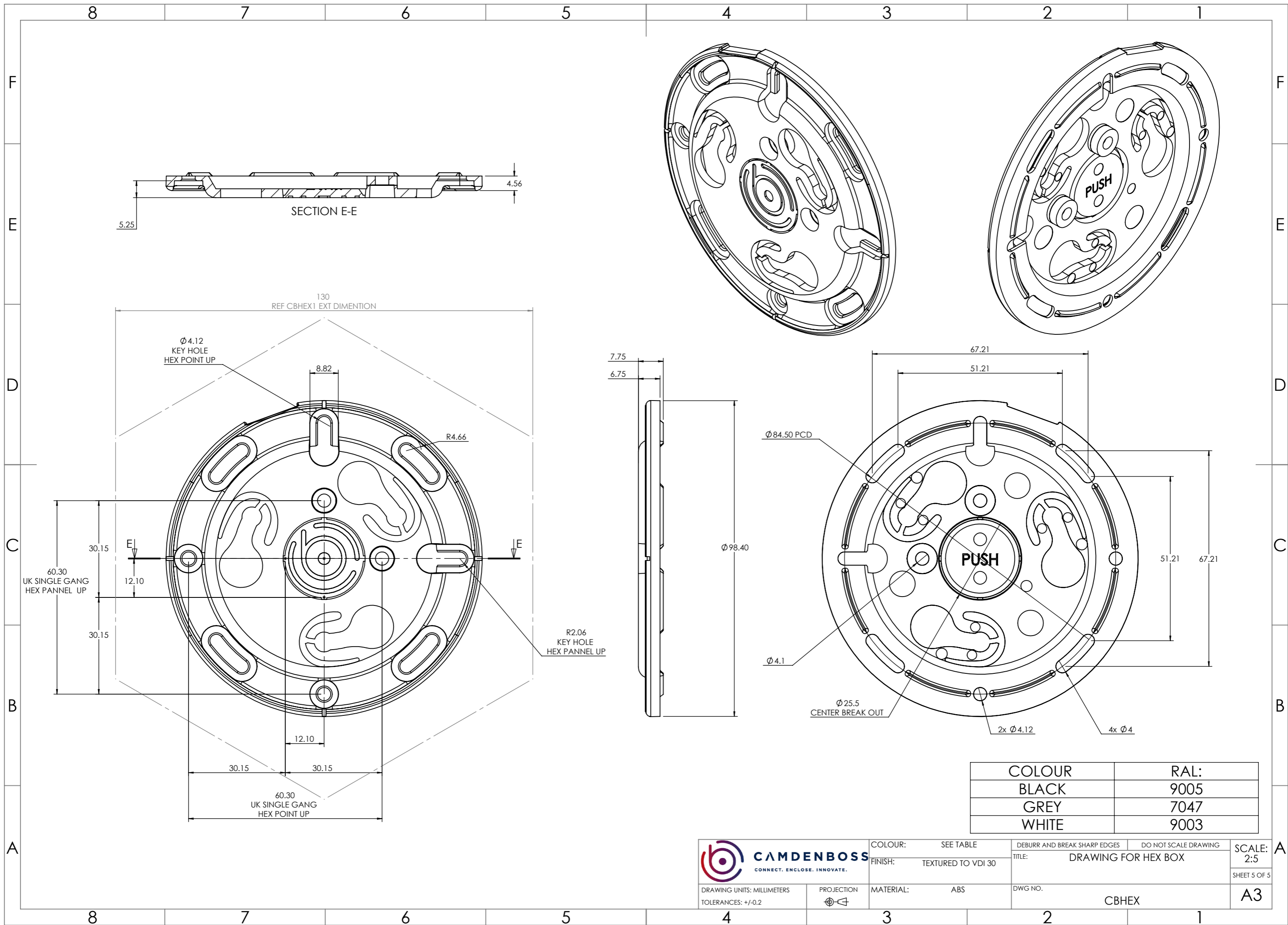
TOP PCB DIMENSIONS




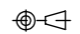
F
E
D
C
B
A

8 7 6 5 4 3 2 1

 CAMDENBOSS <small>CONNECT. ENCLOSE. INNOVATE.</small>	COLOUR: SEE TABLE	DEBURR AND BREAK SHARP EDGES	DO NOT SCALE DRAWING	SCALE: 2:5 SHEET 4 OF 5
	FINISH: TEXTURED TO VDI 30	TITLE: DRAWING FOR HEX BOX		
DRAWING UNITS: MILLIMETERS TOLERANCES: +/-0.2	PROJECTION 	MATERIAL: ABS	DWG NO. CBHEX	A3



COLOUR	RAL:
BLACK	9005
GREY	7047
WHITE	9003

 CAMDENBOSS <small>CONNECT. ENCLOSE. INNOVATE.</small>	COLOUR: SEE TABLE	DEBURR AND BREAK SHARP EDGES	DO NOT SCALE DRAWING	SCALE: 2:5 SHEET 5 OF 5
	FINISH: TEXTURED TO VDI 30	TITLE: DRAWING FOR HEX BOX		
DRAWING UNITS: MILLIMETERS TOLERANCES: +/-0.2	PROJECTION 	MATERIAL: ABS	DWG NO. CBHEX	A3