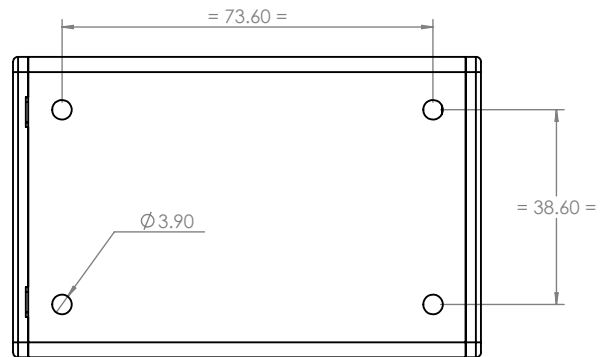
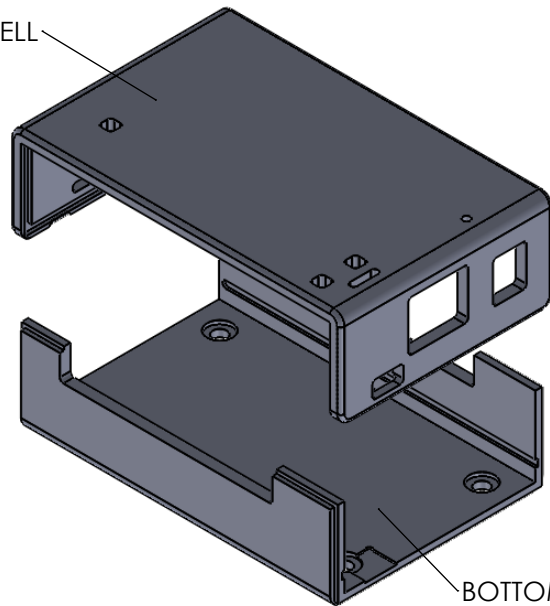


SECTION B-B





ISO VIEW
2:3

TOP U-SHELL



BOTTOM U-SHELL

 CAMDENBOSS JAMES CARTER RD, MILDENHALL, SUFFOLK. IP28 7DE TEL: 01638 716101 FAX: 01638 716554 EMAIL: Sales@CamdenBoss.com WEB: www.CamdenBoss.com		UNLESS OTHERWISE SPECIFIED: DIMENSIONS ARE IN MILLIMETERS		DO NOT SCALE DRAWING		REVISION. 0	
		GENERAL TOLERANCES +/- 0.2		TITLE: GENERAL ASSEMBLY DRAWING FOR BEAGLEBONE ENCLOSURE			
FINISH.		GLOSS		MATERIAL.		DWG NO.	
DRAWN		NAME		SIGNED		DATE	
CHKD		-		-		-	
MATERIAL.		3mm THK VAR		PROJECTION.			
SCALE: 2:3		SHEET 1 OF 1		CBBBB		A4	