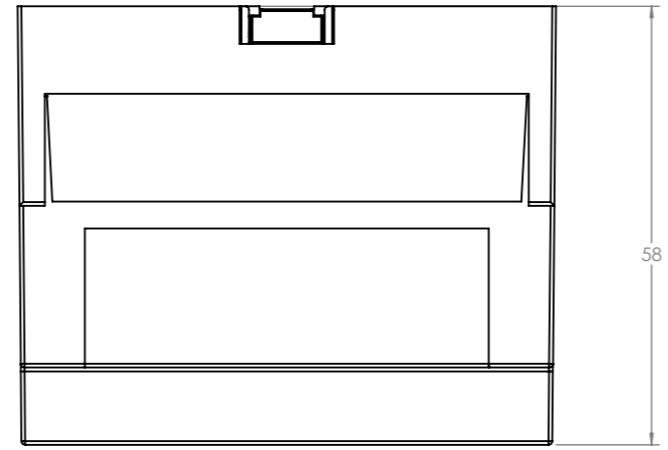
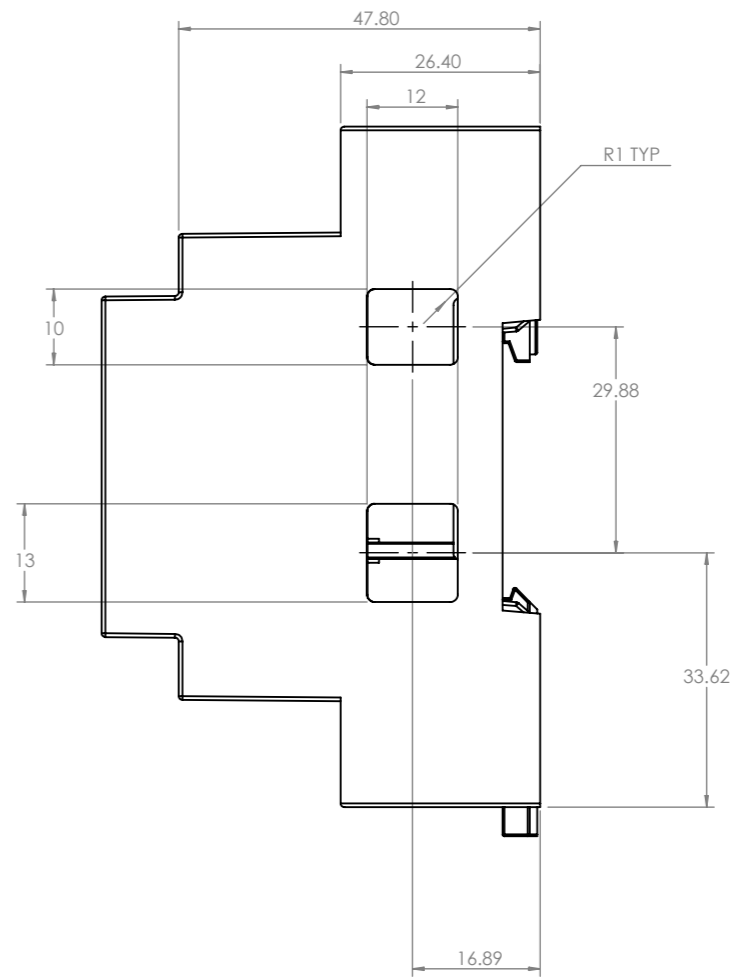
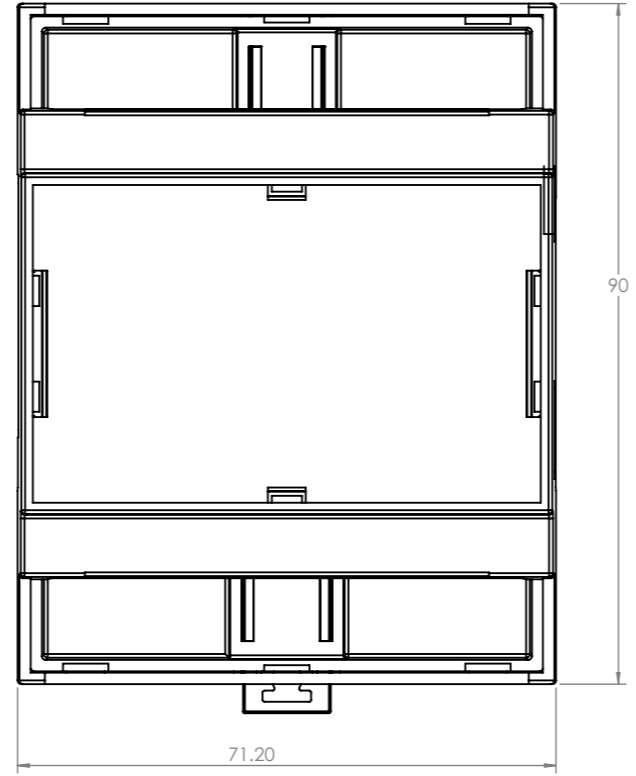
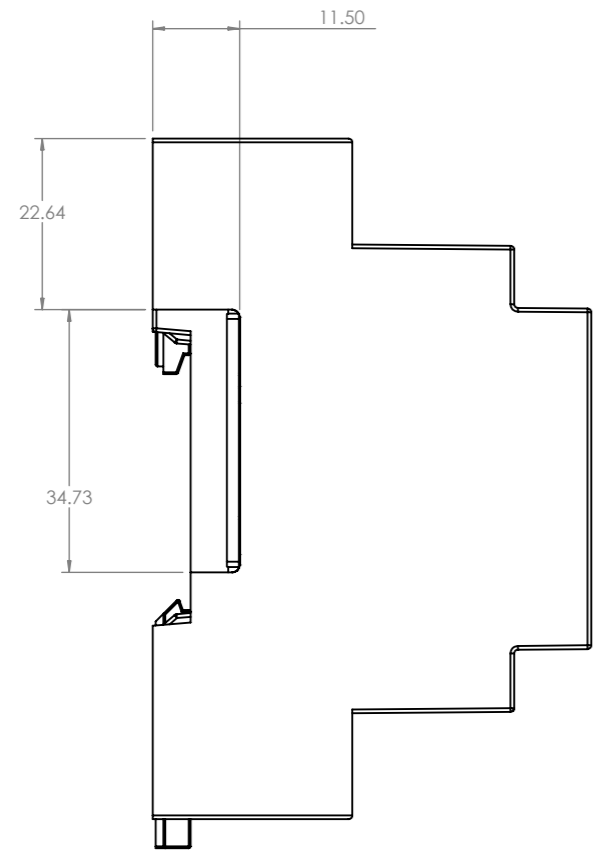
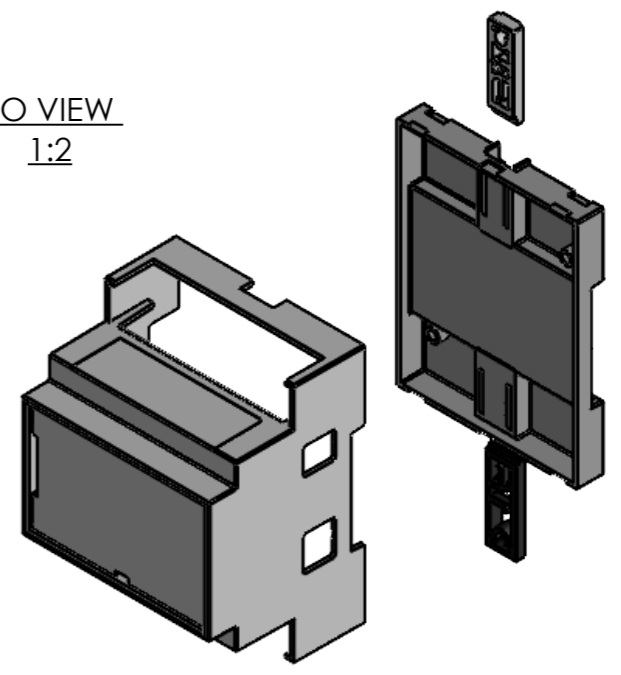


PART NUMBER	COLOUR
CBARDES-DR-4-GY	DIN Rail Arduino Enclosure Grey Lid
CBARDES-DR-4-CLR	DIN Rail Arduino Enclosure Clear Lid



ISO VIEW
1:2



REVISION	DATE	ECR	DESCRIPTION	NAME	CHK'D
-	-	-	-	-	-
-	-	-	-	-	-
-	-	-	-	-	-
A	04/02/20	-	FIRST DRAWN	IAN PAGANO	-

CAMDENBOSS
CONNECT. ENCLOSE. INNOVATE.

DRAWING UNITS: MILLIMETERS
TOLERANCES: +/-0.2

PROJECTION

COLOUR:	RAL: 7035
FINISH:	LIGHT SPARK
MATERIAL:	UL 94 V0 - PC

DEBURR AND BREAK SHARP EDGES	DO NOT SCALE DRAWING
TITLE: DRAWING FOR CNMB WITH ARDINO CUT OUT	
DWG NO.	CBAR-DR-4

SCALE:	1:1
SHEET 1 OF 1	
A3	