

SECTION C-C

SECTION D-D

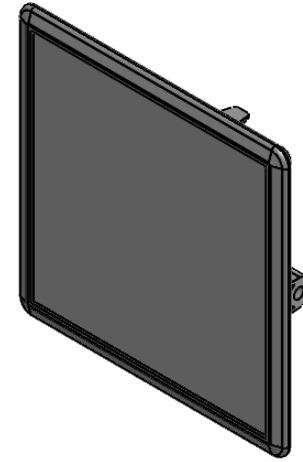
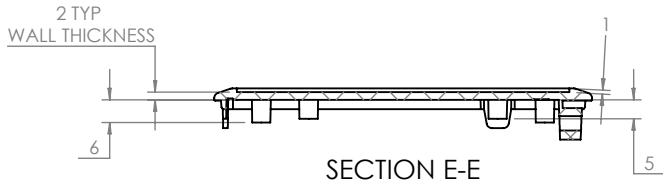
COLOUR	PART NUMBER	RAL:
BLACK	CB1500-10VBK	9005
GREY	CB1500-10VGY	7047
WHITE	CB1500-10VWH	9003

CAMDENBOSS
 CONNECT. ENCLOSE. INNOVATE.
 JAMES CARTER RD, MILDENHALL, SUFFOLK. IP28 7DE
 TEL: 01638 716101 FAX: 01638 716554
 EMAIL: Sales@CamdenBoss.com
 WEB: www.CamdenBoss.com

UNLESS OTHERWISE SPECIFIED: DIMENSIONS ARE IN MILLIMETERS	GENERAL TOLERANCES +/- 0.2	REVISION: A
FINISH: LIGHT SPARK	TITLE: DIMENSION DRAWING FOR 1500 SERIES WHITE WITH VENTED BODY	
COLOUR: WHITE	DWG NO. CB1500-10Vxx-KIT	A4
MATERIAL: UV STABLE ABS UL94-V0	SCALE: 1:2	SHEET 1 OF 3
PROJECTION:	DO NOT SCALE DRAWING	

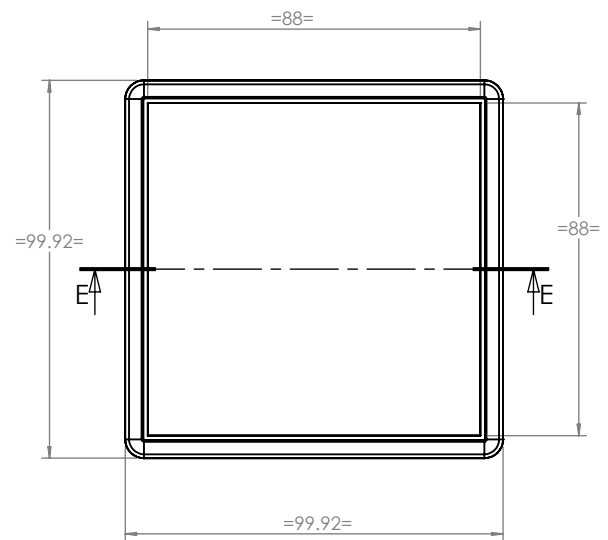
1 2 3 4 5 6

A



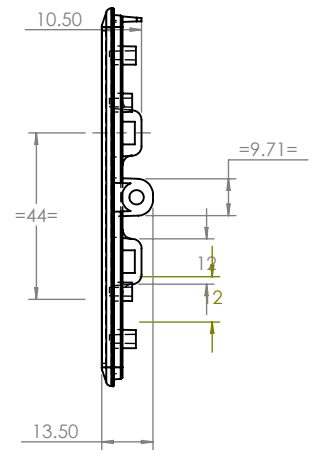
A

B

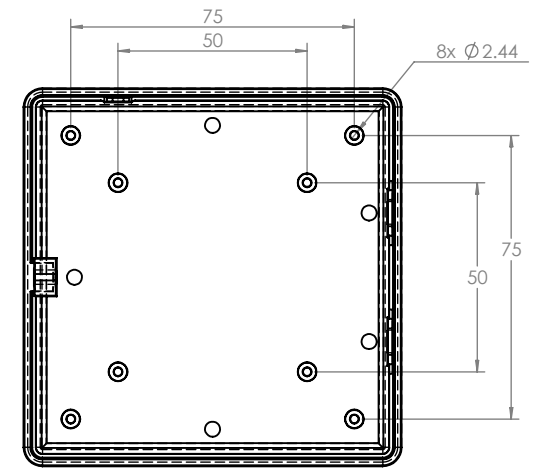


B

C




C

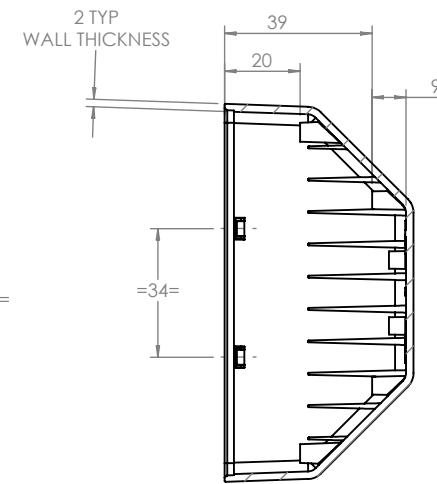
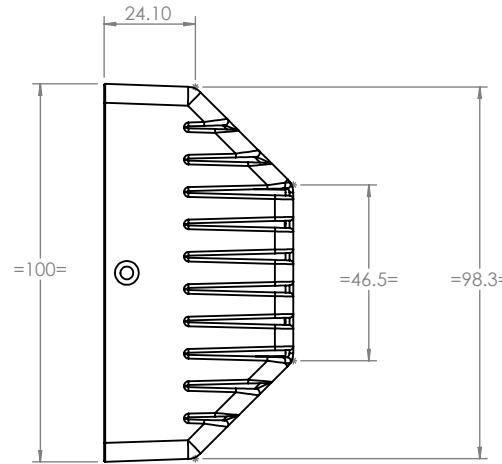
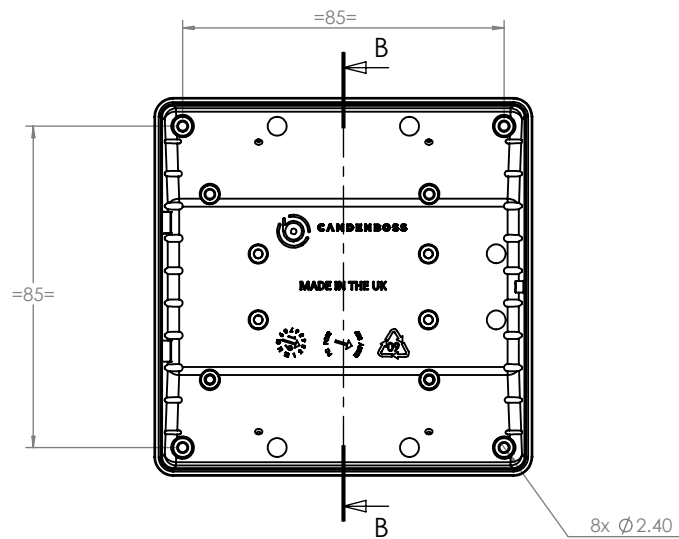
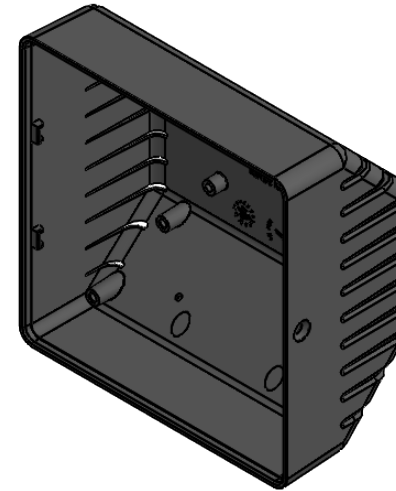
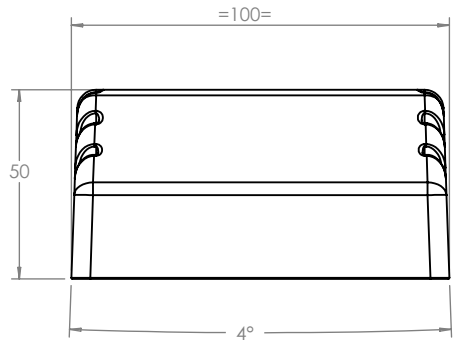


D

1 2 3

 CAMDENBOSS CONNECT. ENCLOSE. INNOVATE. JAMES CARTER RD, MILDENHALL, SUFFOLK. IP28 7DE TEL: 01638 716101 FAX: 01638 716554 EMAIL: Sales@CamdenBoss.com WEB: www.CamdenBoss.com		UNLESS OTHERWISE SPECIFIED: DIMENSIONS ARE IN MILLIMETERS		GENERAL TOLERANCES +/- 0.2		REVISION. A	
		FINISH. LIGHT SPARK		TITLE: DIMENSION DRAWING FOR 1500 SERIES WHITE WITH VENTED BODY			
		COLOUR. WHITE		MATERIAL. UV STABLE ABS UL94-V0		DWG NO. CB1500-10Vxx-KIT	
DRAWN	IAN PAGANO	SIGNED	I.P.	DATE	19/11/18	SCALE: 1:2	SHEET 2 OF 3
CHKD	-	-	-	-	-	PROJECTION.	DO NOT SCALE DRAWING

A4



SECTION B-B

CAMDENBOSS
 CONNECT. ENCLOSE. INNOVATE.
 JAMES CARTER RD, MILDENHALL, SUFFOLK. IP28 7DE
 TEL: 01638 716101 FAX: 01638 716554
 EMAIL: Sales@CamdenBoss.com
 WEB: www.CamdenBoss.com

UNLESS OTHERWISE SPECIFIED:
 DIMENSIONS ARE IN MILLIMETERS
 FINISH: LIGHT SPARK
 COLOUR: WHITE

GENERAL TOLERANCES +/- 0.2 REVISION: A
 TITLE: DIMENSION DRAWING FOR 1500
 SERIES WHITE WITH VENTED BODY

	NAME	SIGNED	DATE
DRAWN	IAN PAGANO	I.P.	19/11/18
CHK'D	-	-	-

MATERIAL: UV STABLE ABS UL94-V0
 PROJECTION:

DWG NO. **CB1500-10Vxx-KIT** A4
 SCALE: 1:2 SHEET 3 OF 3 DO NOT SCALE DRAWING