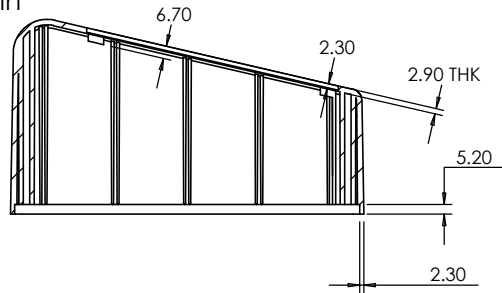


OVERALL ASSEMBLY DIMENSIONS:

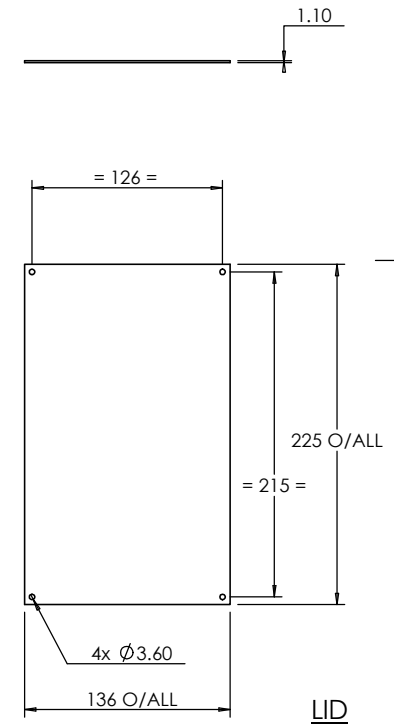
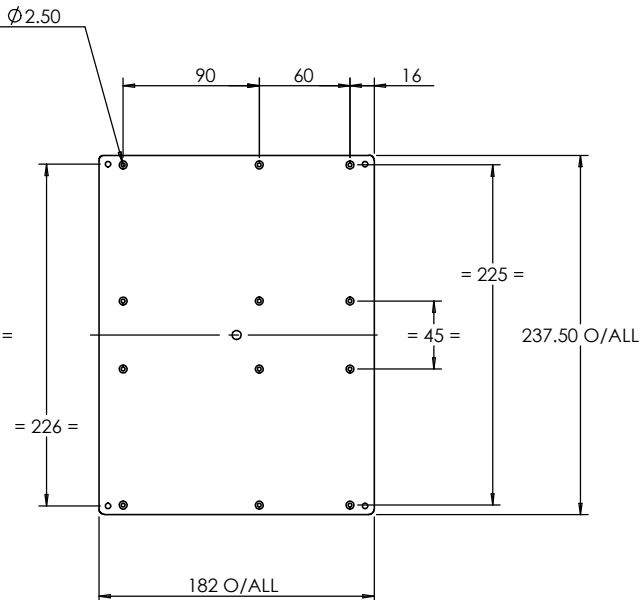
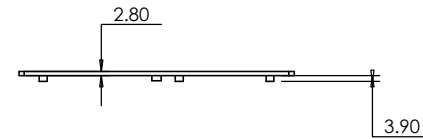
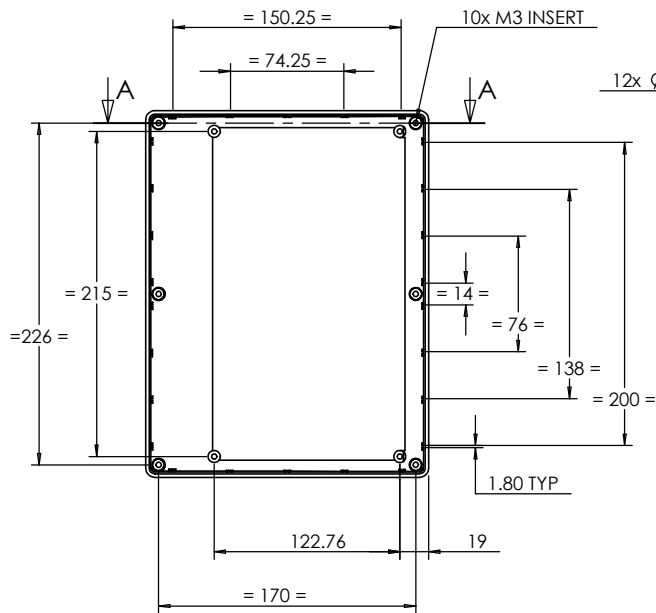
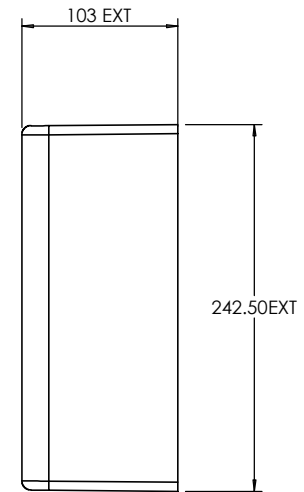
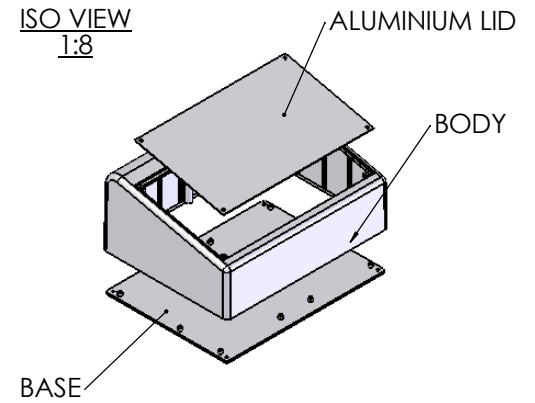
EXT - 242.50 x 187 x 103 max/ 65 min

INT - 235.70 x 180.20 x 95 max/ 60 min

SECTION A-A



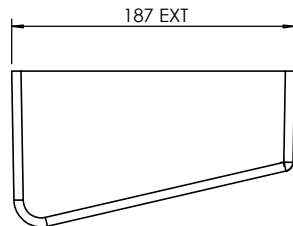
ISO VIEW
1:8


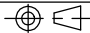


BODY

BASE

LID



 CAMDENBOSS JAMES CARTER RD, MILDENHALL, SUFFOLK. IP28 7DE TEL: 01638 716101 FAX: 01638 716554 EMAIL: Sales@CamdenBoss.com WEB: www.CamdenBoss.com				UNLESS OTHERWISE SPECIFIED: DIMENSIONS ARE IN MILLIMETERS		DO NOT SCALE DRAWING		REVISION. 0	
				FINISH. SMOOTH		TITLE: ASSEMBLY DWG FOR 8007			
DRAWN SUBKHANKULOVA		SIGNED LS		DATE 13/05/09		MATERIAL. VAR		DWG NO. 8007	
CHK'D -		-		-		PROJECTION. 		SCALE. 1 : 5	
								SHEET 1 OF 1	

A4