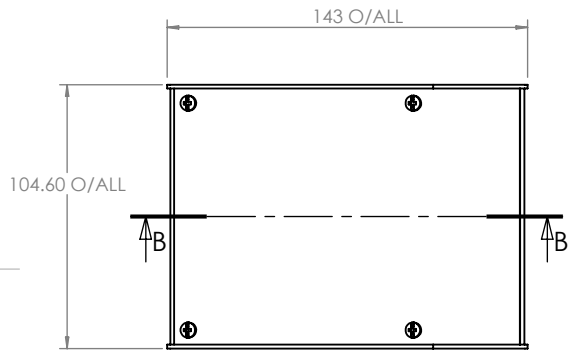
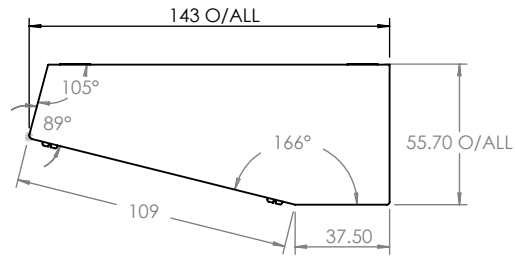
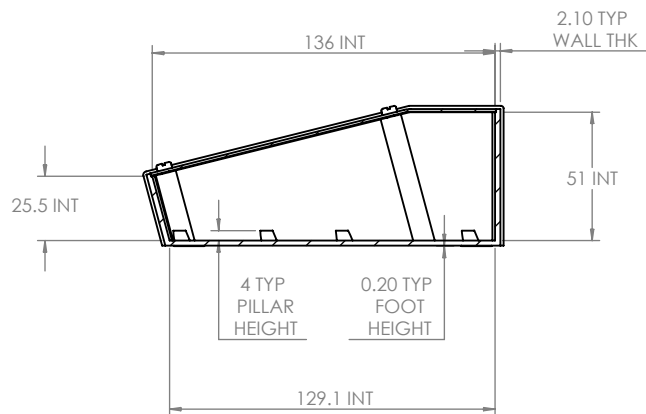


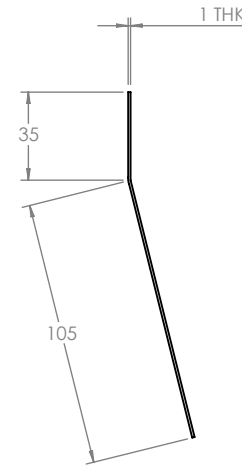
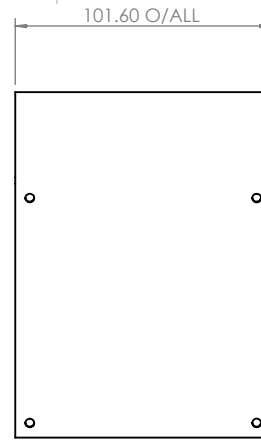
ASSEMBLY



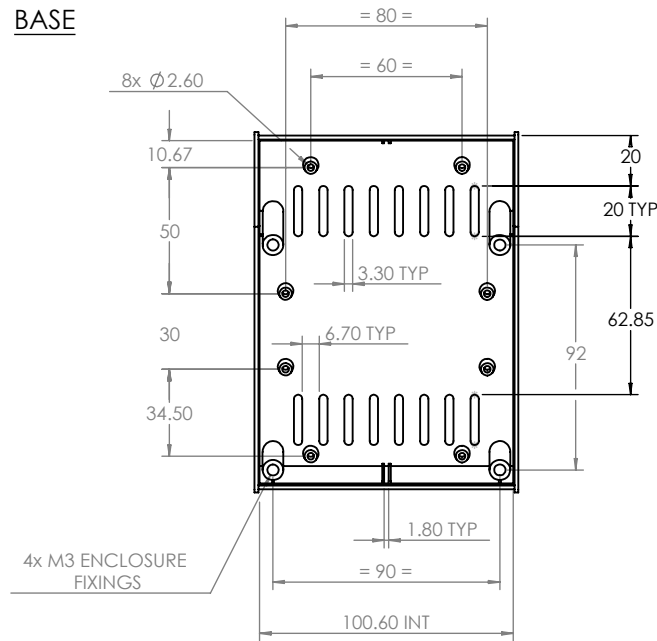
SECTION B-B



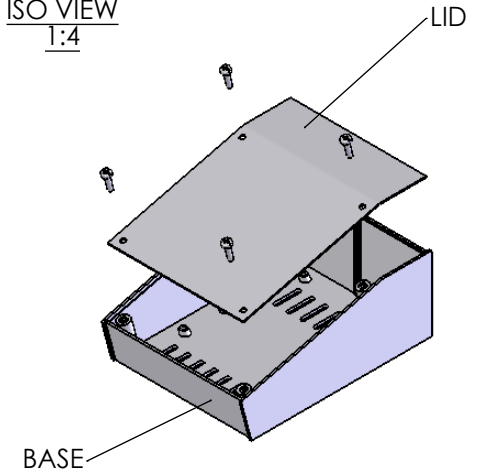
LID



BASE



ISO VIEW 1:4



<p>CAMDENBOSS JAMES CARTER RD, MILDENHALL, SUFFOLK. IP28 7DE TEL: 01638 716101 FAX: 01638 716554 EMAIL: Sales@CamdenBoss.com WEB: www.CamdenBoss.com</p>			UNLESS OTHERWISE SPECIFIED: DIMENSIONS ARE IN MILLIMETERS		DO NOT SCALE DRAWING		REVISION. O		
			FINISH. SMOOTH		TITLE: GNL ASSY DRG FOR 6000 SERIES				
DRAWN L SUBKHANKULOVA LS		SIGNED LS		DATE 10/12/09		MATERIAL. ABS & ALUMINIUM		DWG NO. 6005	
CHKD STUART HARDINGE SJH		SIGNED SJH		DATE 10/12/09		PROJECTION. 		SCALE: 1 : 3	
								SHEET 1 OF 1	

A4