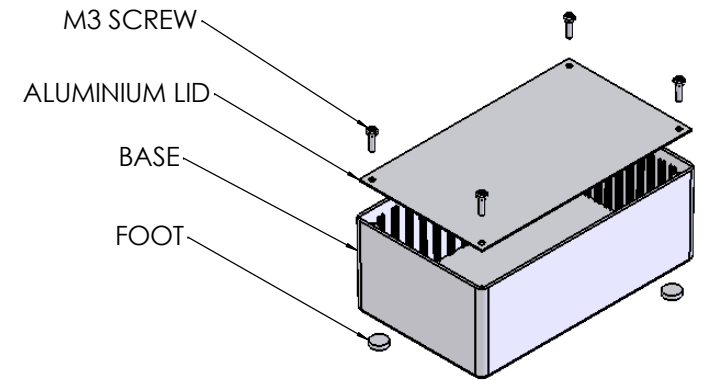


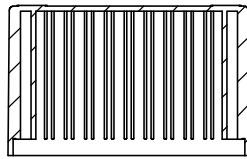
OVERALL ASSEMBLY DIMENSIONS:

EXTERNAL - 161.5 x 96 x 59.25

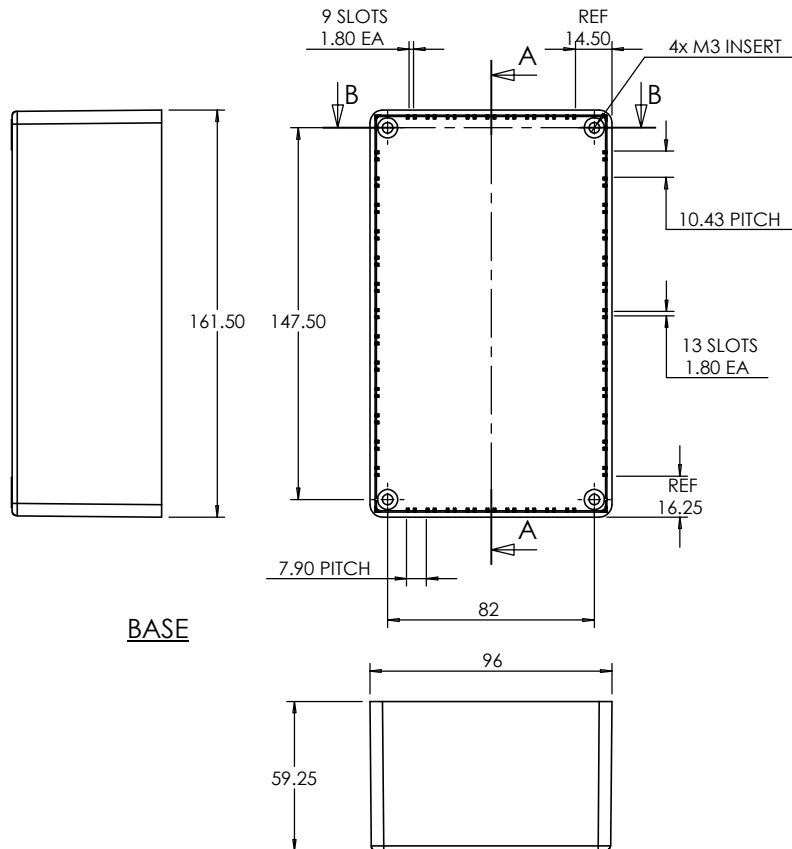
INTERNAL - 157.5 x 92 x 50.75



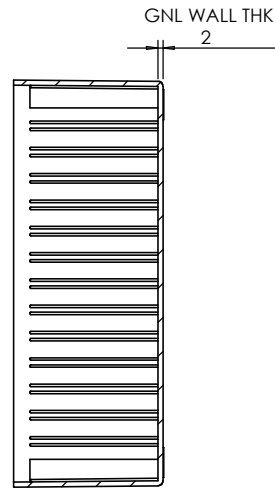
ISO VIEW
1:4



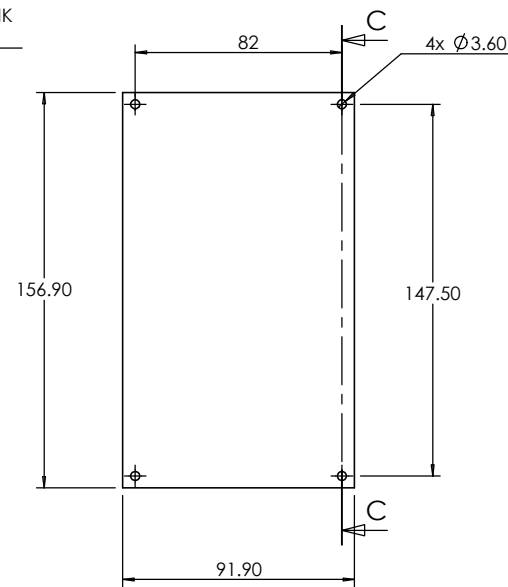
SECTION B-B



BASE


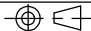


SECTION A-A



SECTION C-C

LID

 CAMDENBOSS JAMES CARTER RD, MILDENHALL, SUFFOLK. IP28 7DE TEL: 01638 716101 FAX: 01638 716554 EMAIL: Sales@CamdenBoss.com WEB: www.CamdenBoss.com				UNLESS OTHERWISE SPECIFIED: DIMENSIONS ARE IN MILLIMETERS		DO NOT SCALE DRAWING	REVISION. 0
				FINISH. SMOOTH		TITLE: ASSEMBLY DRG FOR 4005	
DRAWN	S.HARDINGE	SJH	01/12/05	MATERIAL. ABS & ALUMINIUM	DWG NO.	4005	A4
CHK'D	-	-	-	PROJECTION. 	SCALE: 1:3	SHEET 1 OF 1	