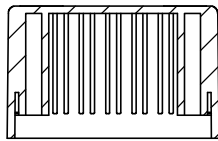


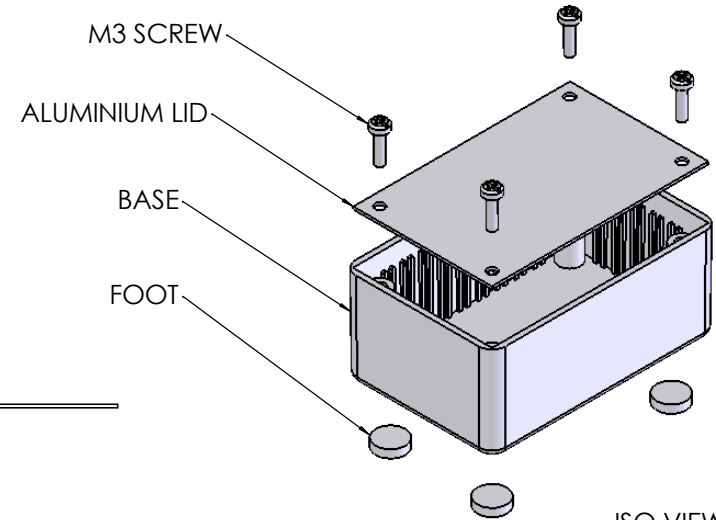
OVERALL ASSEMBLY DIMENSIONS:

EXTERNAL - 85 x 56 x 35

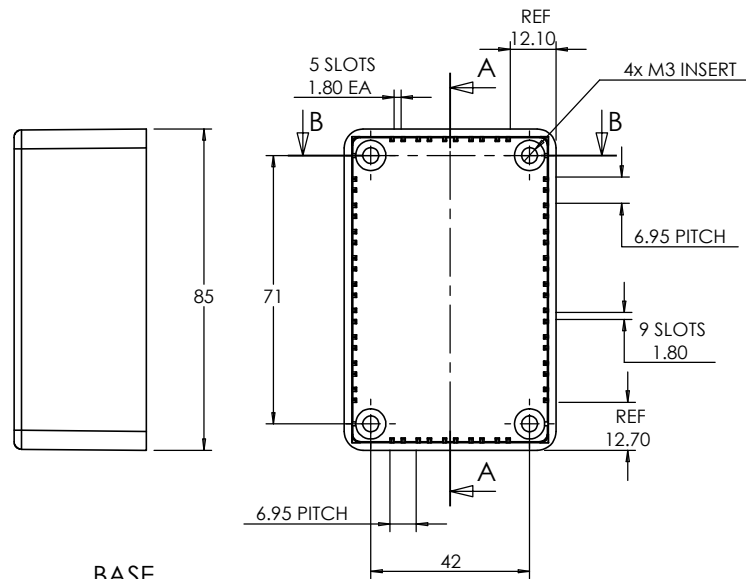
INTERNAL - 81 x 52 x 27



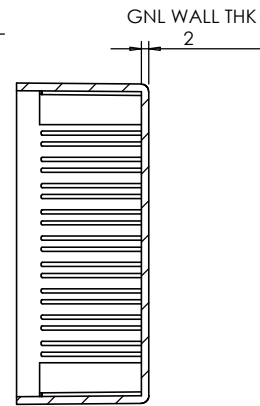
SECTION B-B



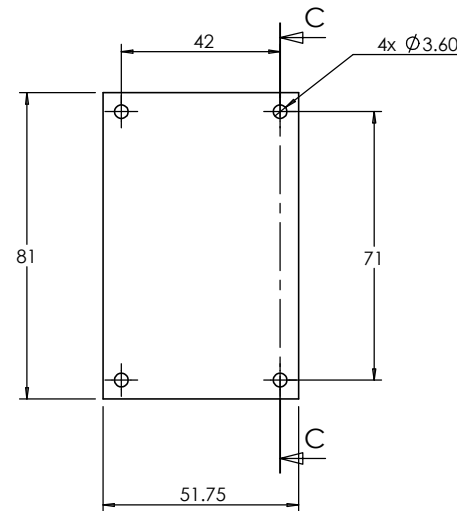
ISO VIEW
1:2



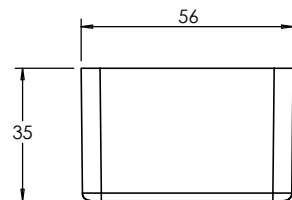
BASE




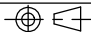
SECTION A-A



SECTION C-C



LID

 CAMDENBOSS JAMES CARTER RD, MILDENHALL, SUFFOLK. IP28 7DE TEL: 01638 716101 FAX: 01638 716554 EMAIL: Sales@CamdenBoss.com WEB: www.CamdenBoss.com				UNLESS OTHERWISE SPECIFIED: DIMENSIONS ARE IN MILLIMETERS		DO NOT SCALE DRAWING	REVISION. 0
				FINISH. SMOOTH		TITLE: ASSEMBLY DRG FOR 4003	
DRAWN	S.HARDINGE	SJH	30/11/05	MATERIAL. ABS & ALUMINIUM	DWG NO.	4003	A4
CHK'D	-	-	-	PROJECTION. 	SCALE: 1:2	SHEET 1 OF 1	