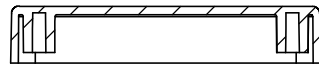
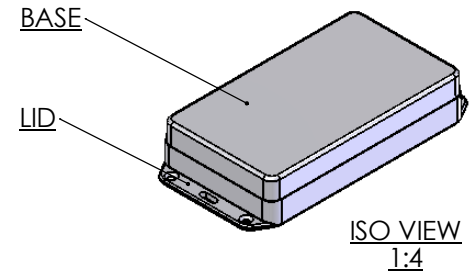


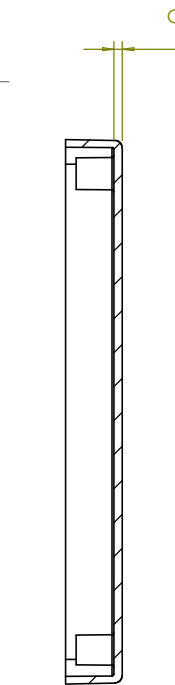
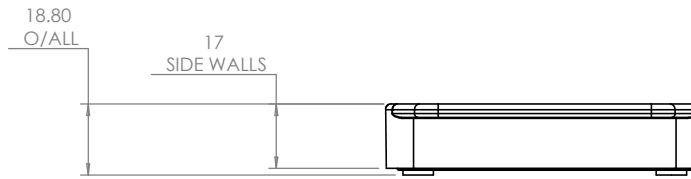
OVERALL ASSEMBLY DIMENSIONS:

EXTERNAL - 167 x 84 x 31

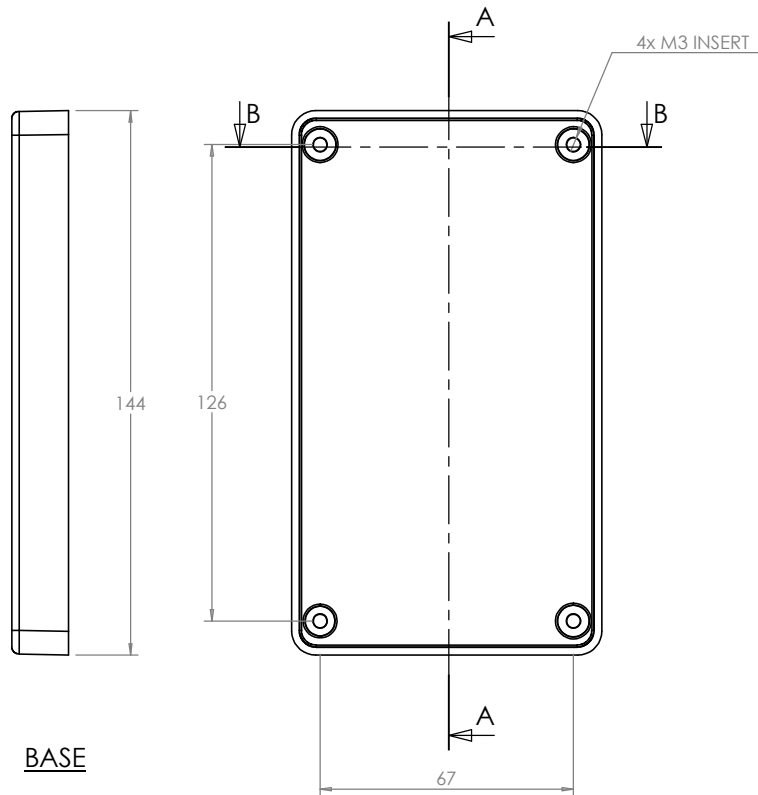
INTERNAL - 139.6 x 77.6 x 25.6



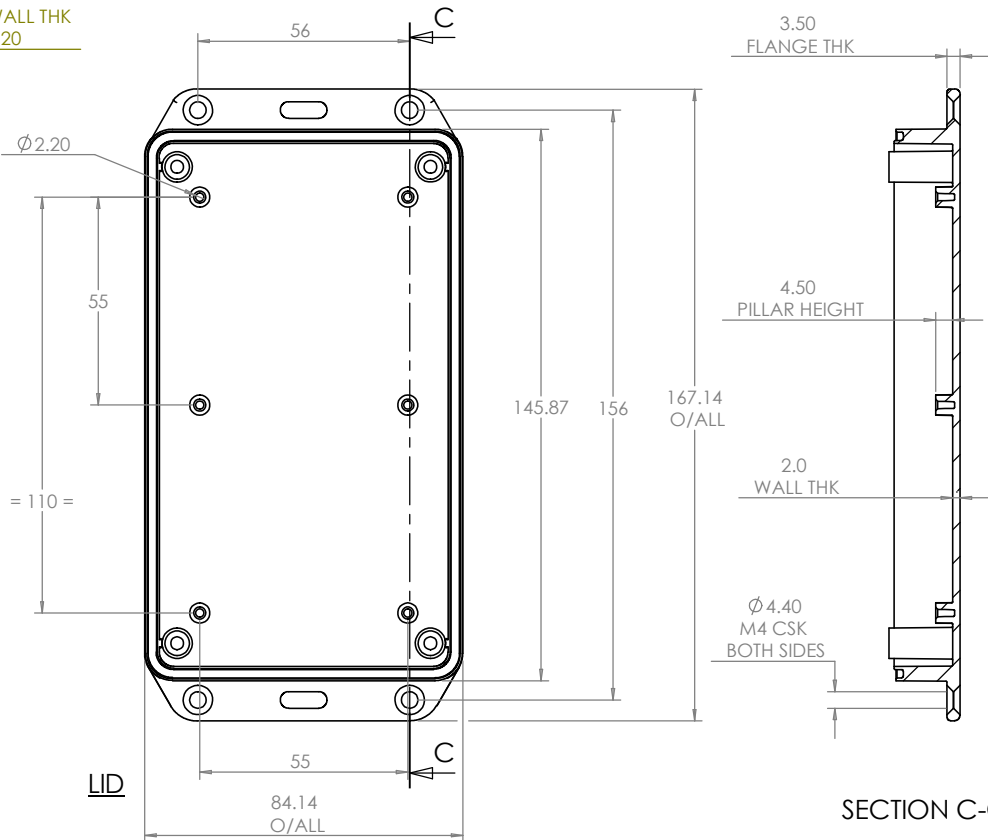
SECTION B-B



SECTION A-A

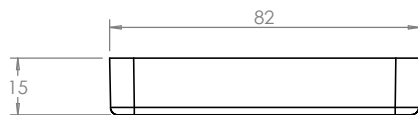


BASE



LID

SECTION C-C



<p><b>CAMDENBOSS</b>                  JAMES CARTER RD, MILDENHALL, SUFFOLK. IP28 7DE                  TEL: 01638 716101 FAX: 01638 716554                  EMAIL: Sales@CamdenBoss.com                  WEB: www.CamdenBoss.com</p>			UNLESS OTHERWISE SPECIFIED: DIMENSIONS ARE IN MILLIMETERS		DO NOT SCALE DRAWING	REVISION. 0
			FINISH. <b>SMOOTH</b>		TITLE: <b>GNL ASSEMBLY DRG FOR IP 2000-SERIES ENCLOSURE</b>	
DRAWN SUBKHANKULOVA		SIGNED LS	DATE 02/03/09	MATERIAL. <b>ABS</b>	DWG NO. <b>2030-IP</b>	A4
CHK'D	-	-	-	PROJECTION.	SCALE. 1 : 2	SHEET 1 OF 1