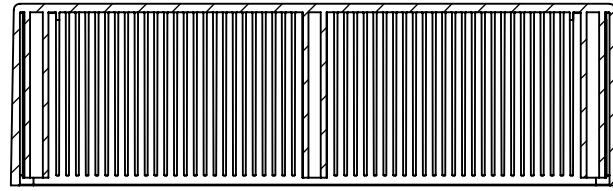
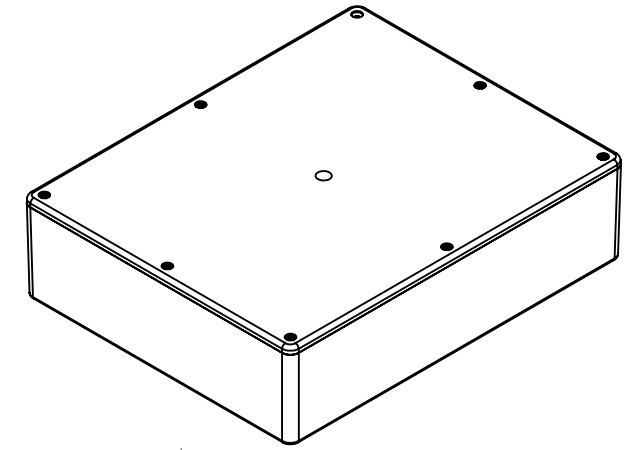
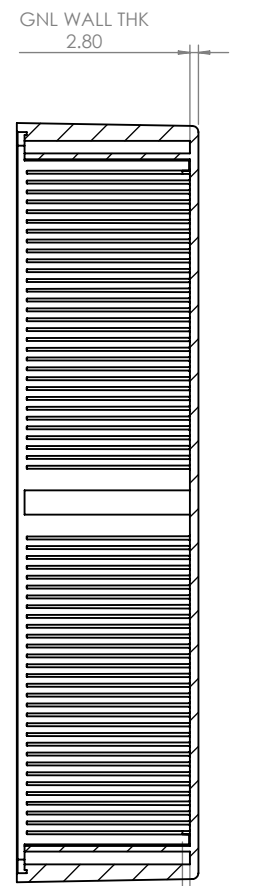
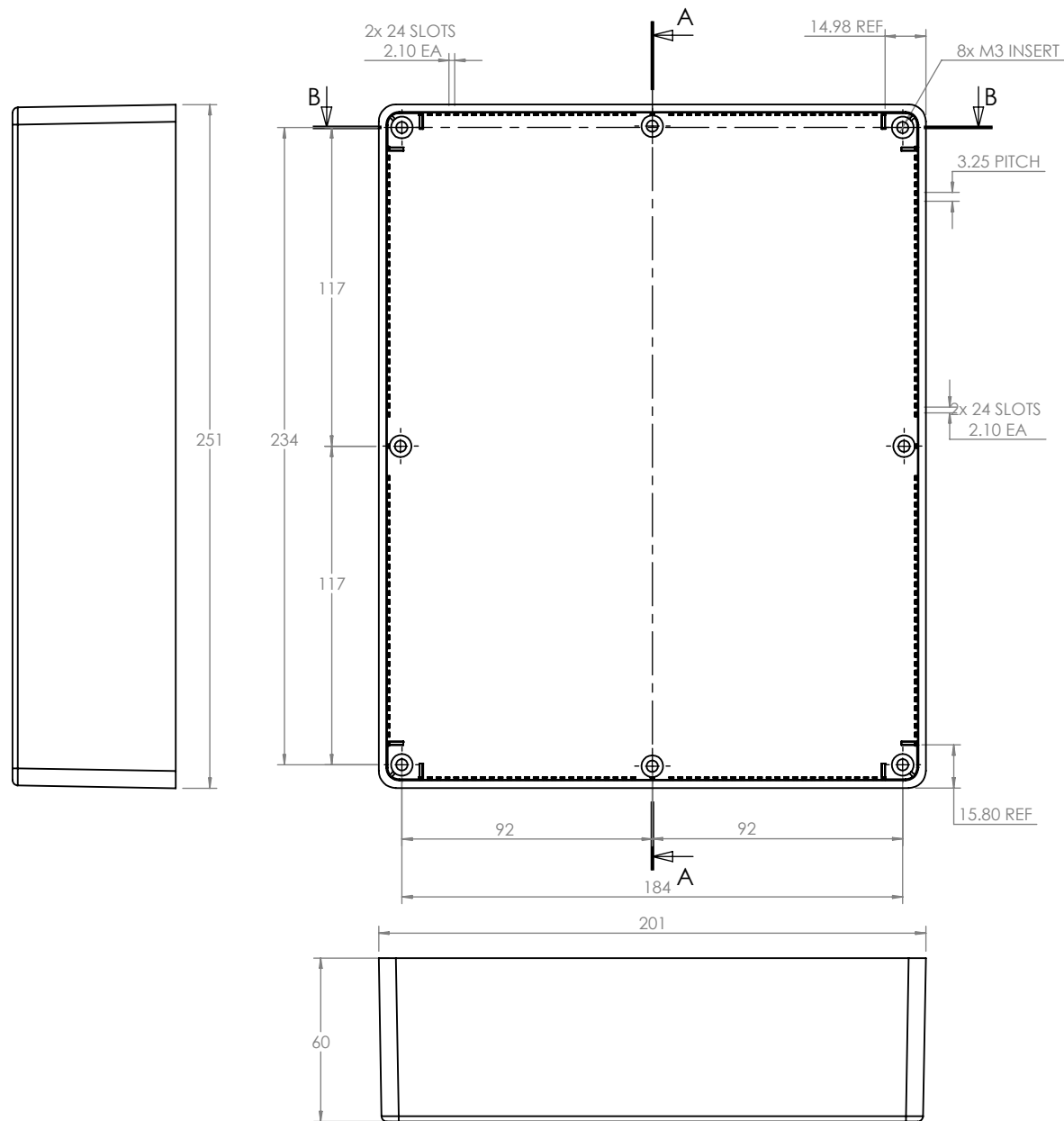
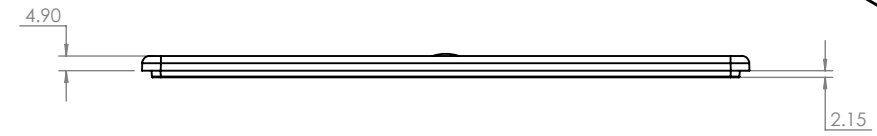


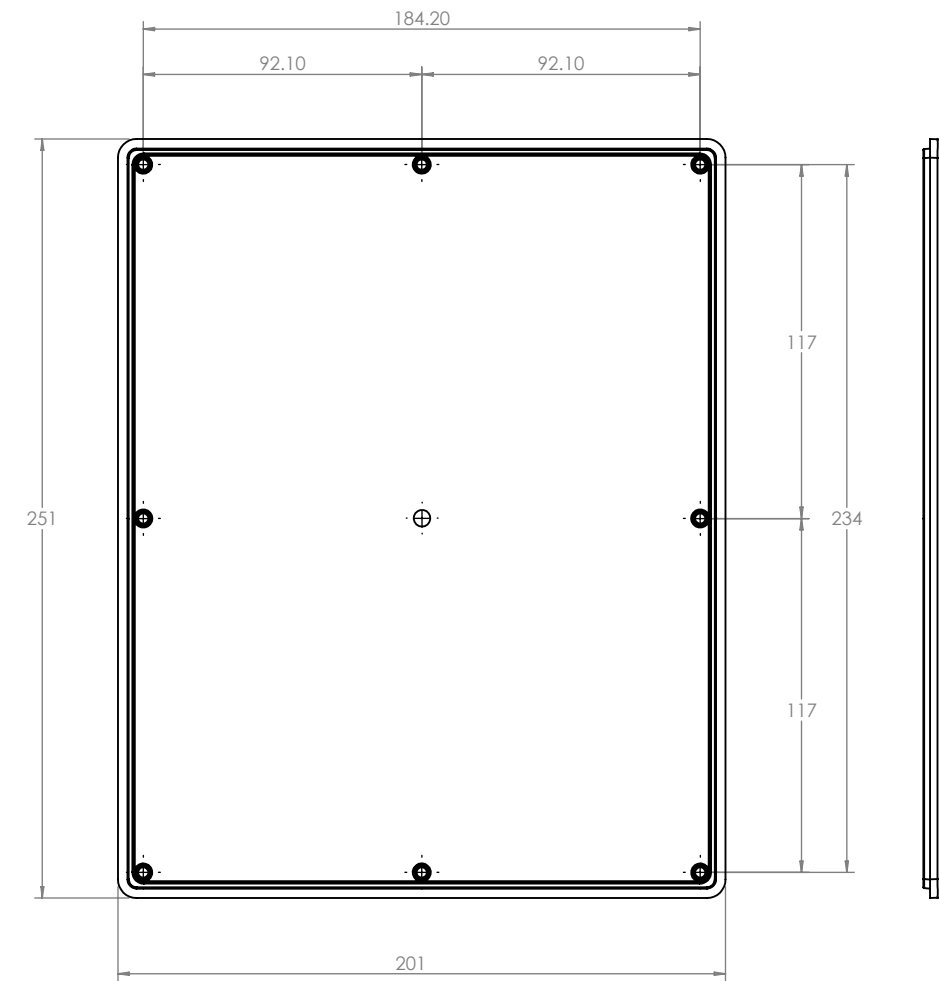
OVERALL ASSEMBLY DIMENSIONS:
 EXTERNAL - 251 x 201 x 65
 INTERNAL - 244 x 194 x 60.2



SECTION B-B
 SCALE 2 : 5



SECTION A-A
 SCALE 2 : 5



REVISION	C	02/08/21	-	UPDATED LID HOLE PITCH	I.PAGANO	S.HARDINGE		COLOUR:	VAR	DEBURR AND BREAK SHARP EDGES	DO NOT SCALE DRAWING	SCALE:	
	B	09/03/21	-	UPDATED EXT DIM	I.PAGANO	-		FINISH:	GLOSS	TITLE: ASSEMBLY DRG FOR 2009/19		SHEET 1 OF 1	
	A	10/10/05	-	FIRST DRAWN	S.HARDINGE	-		MATERIAL:	ABS	DWG NO.	BIM2009,19 sales		A3
					DESCRIPTION	NAME		CHK'D	DRAWING UNITS: MILLIMETERS	PROJECTION			
									TOLERANCES: +/-0.2				