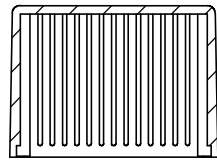
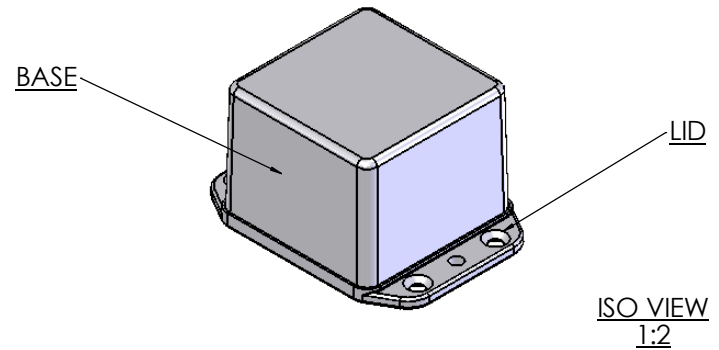


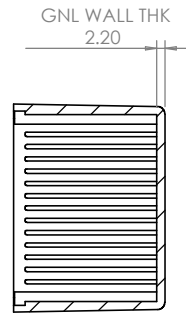
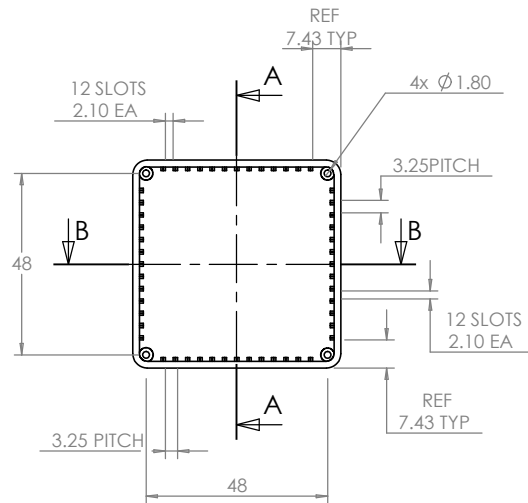
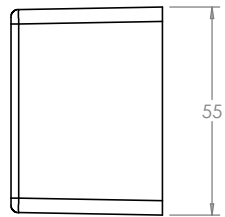
OVERALL ASSEMBLY DIMENSIONS:

EXTERNAL - 78.3 x 57.3 x 43

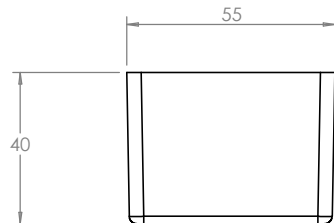
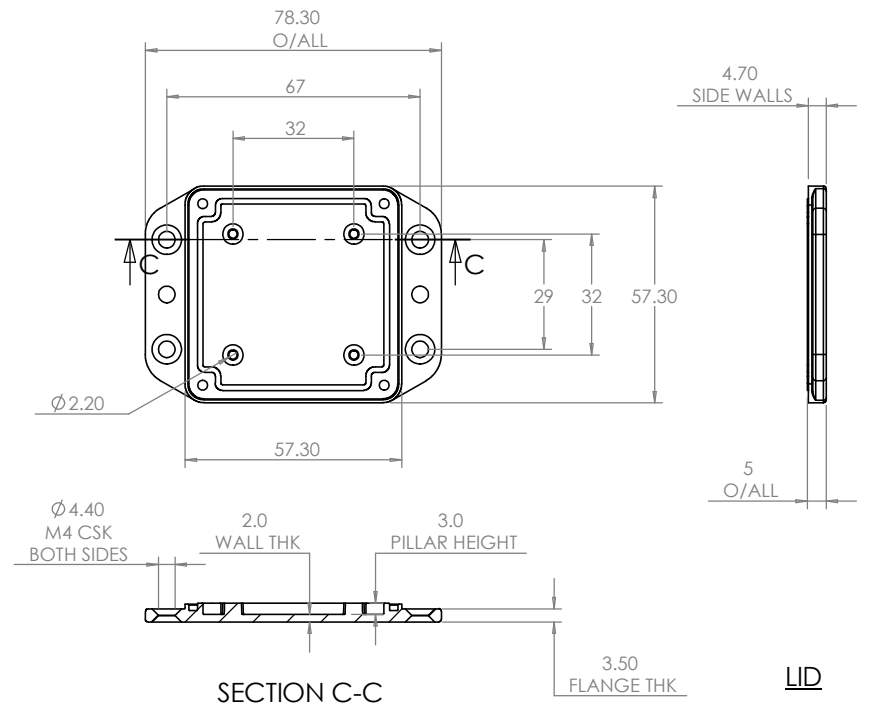
INTERNAL - 51 x 51 x 37



SECTION B-B



SECTION A-A



<p>CAMDENBOSS JAMES CARTER RD, MILDENHALL, SUFFOLK, IP28 7DE TEL: 01638 716101 FAX: 01638 716554 EMAIL: Sales@CamdenBoss.com WEB: www.CamdenBoss.com</p>				UNLESS OTHERWISE SPECIFIED: DIMENSIONS ARE IN MILLIMETERS		DO NOT SCALE DRAWING		REVISION: 0	
				FINISH: SMOOTH		TITLE: GNL ASSEMBLY DRG FOR IP 2000-SERIES ENCLOSURE			
DRAWN SUBKHANKULOVA		SIGNED LS	DATE 27/02/09	MATERIAL: ABS		DWG NO. 2008-IP		A4	
CHK'D -		-	-	PROJECTION:		SCALE: 1:2		SHEET 1 OF 1	