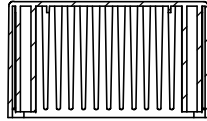


OVERALL ASSEMBLY DIMENSIONS:

EXTERNAL - 150 (171.5) x 80 x 50

INTERNAL - 146.4 x 76.4 x 46.5

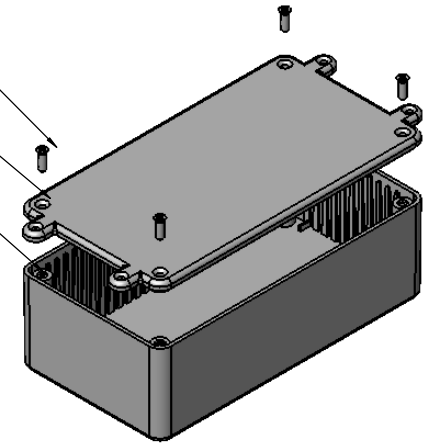


SECTION B-B

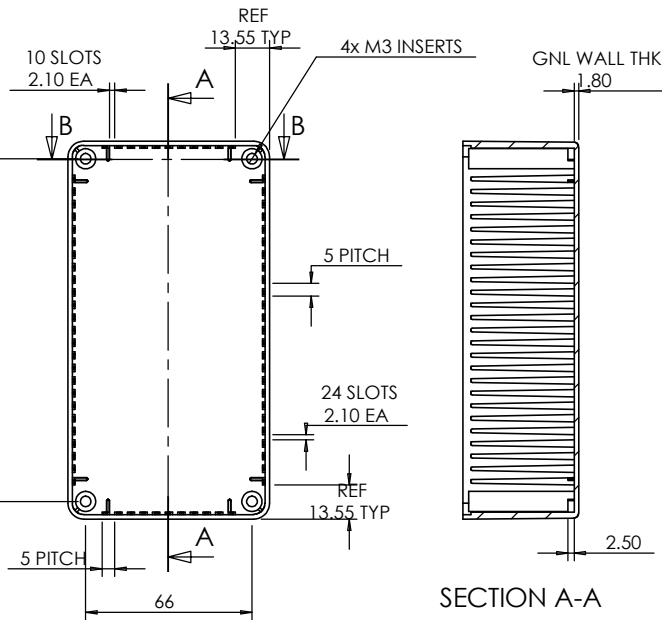
M3 CSK SCREW

LID

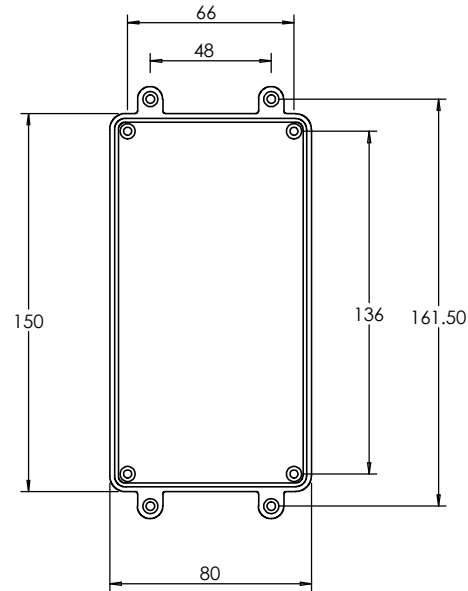
BASE



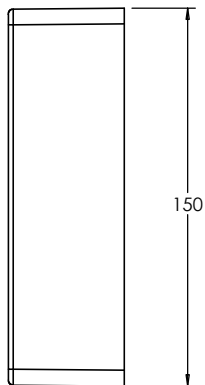
ISO VIEW



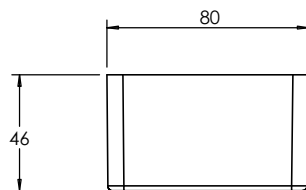
SECTION A-A




LID



BASE



 CAMDENBOSS JAMES CARTER RD., MILDENHALL, SUFFOLK. IP28 7DE TEL: 01638 716101 FAX: 01638 716554 EMAIL: Sales@CamdenBoss.com WEB: www.CamdenBoss.com				UNLESS OTHERWISE SPECIFIED: DIMENSIONS ARE IN MILLIMETERS		DO NOT SCALE DRAWING	REVISION. 0
				FINISH. SMOOTH		TITLE: ASSEMBLY DRG FOR 2005,15-LUG	
	NAME	SIGNED	DATE	MATERIAL. ABS	DWG NO.	2005,15-LUG	A4
DRAWN	S.HARDINGE	SJH	05/10/05	PROJECTION.	SCALE: 1 : 3	SHEET 1 OF 1	