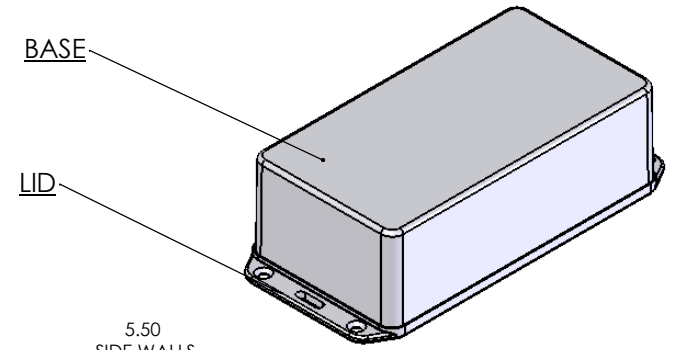


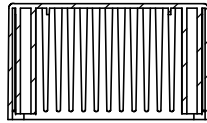
OVERALL ASSEMBLY DIMENSIONS:

EXTERNAL - 173.4 x 82.4 x 50.5

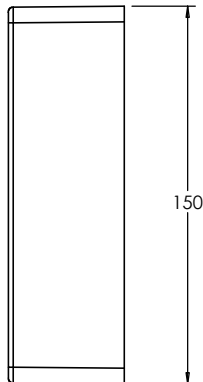
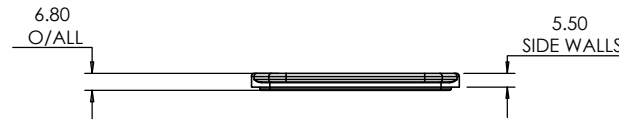
INTERNAL - 146.4 x 76.4 x 46



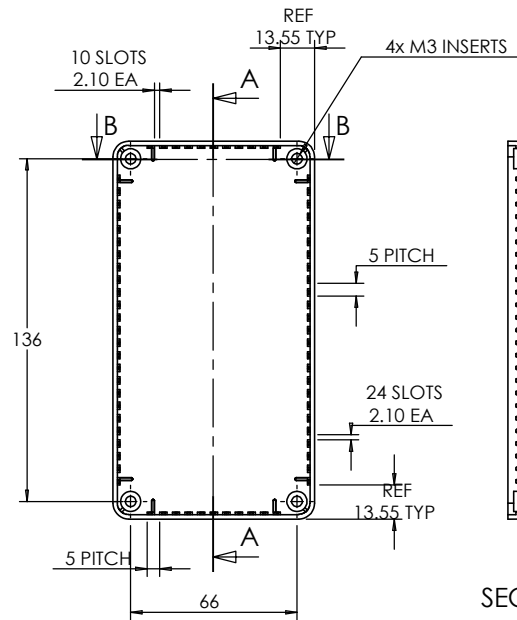
ISO VIEW  
1:3



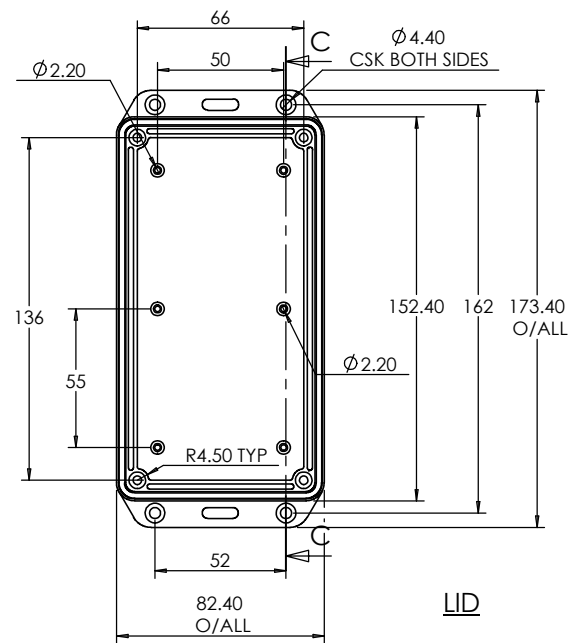
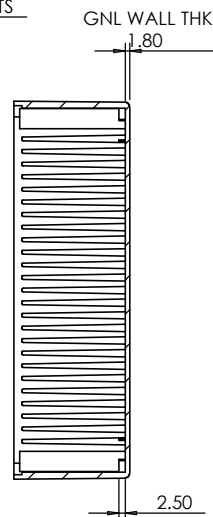
SECTION B-B



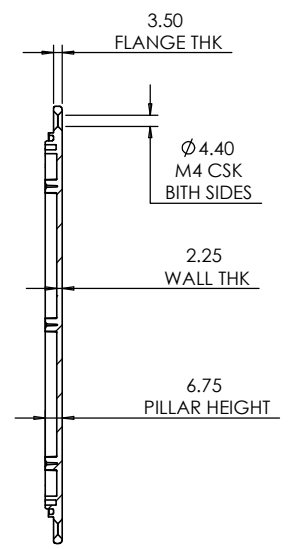
BASE



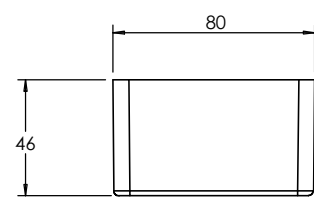
SECTION A-A


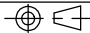


LID



SECTION C-C



 <b>CAMDENBOSS</b> JAMES CARTER RD, MILDENHALL, SUFFOLK. IP28 7DE TEL: 01638 716101 FAX: 01638 716554 EMAIL: Sales@CamdenBoss.com WEB: www.CamdenBoss.com				UNLESS OTHERWISE SPECIFIED: DIMENSIONS ARE IN MILLIMETERS		DO NOT SCALE DRAWING		REVISION. 0	
				FINISH: <b>SMOOTH</b>		TITLE: <b>GNL ASSEMBLY DRG FOR IP 2000-SERIES ENCLOSURE</b>			
DRAWN SUBKHANKULOVA		SIGNED LS	DATE 27/02/09	MATERIAL: <b>ABS</b>		DWG NO. <b>2005-IP</b>		A4	
CHK'D -		-	-	PROJECTION. 		SCALE: 1:3		SHEET 1 OF 1	