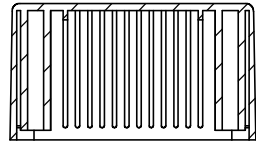


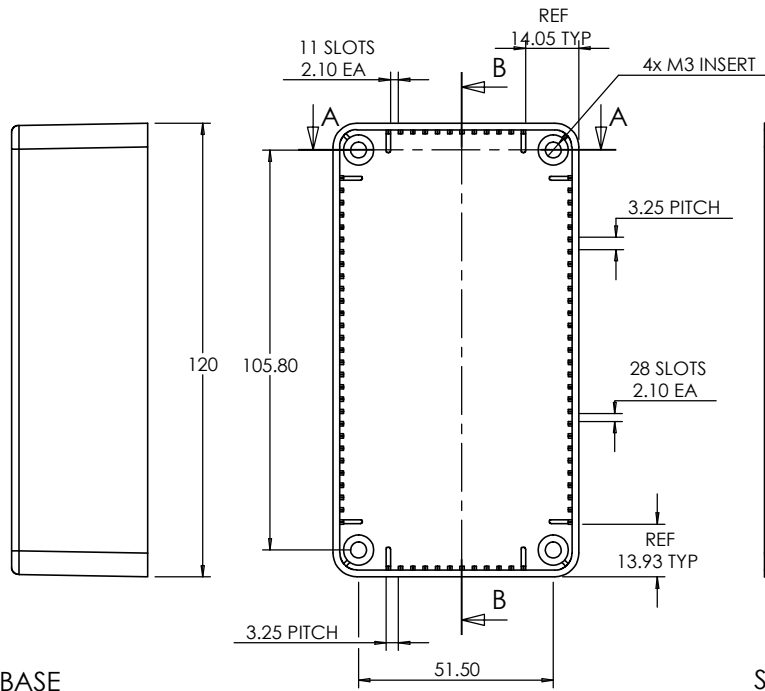
OVERALL ASSEMBLY DIMENSIONS:

EXTERNAL - 143.3 x 67.3 x 40.3

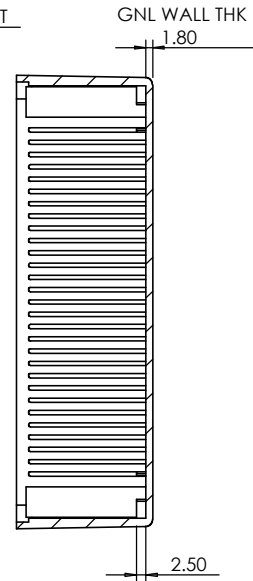
INTERNAL - 116.4 x 61.4 x 36.2



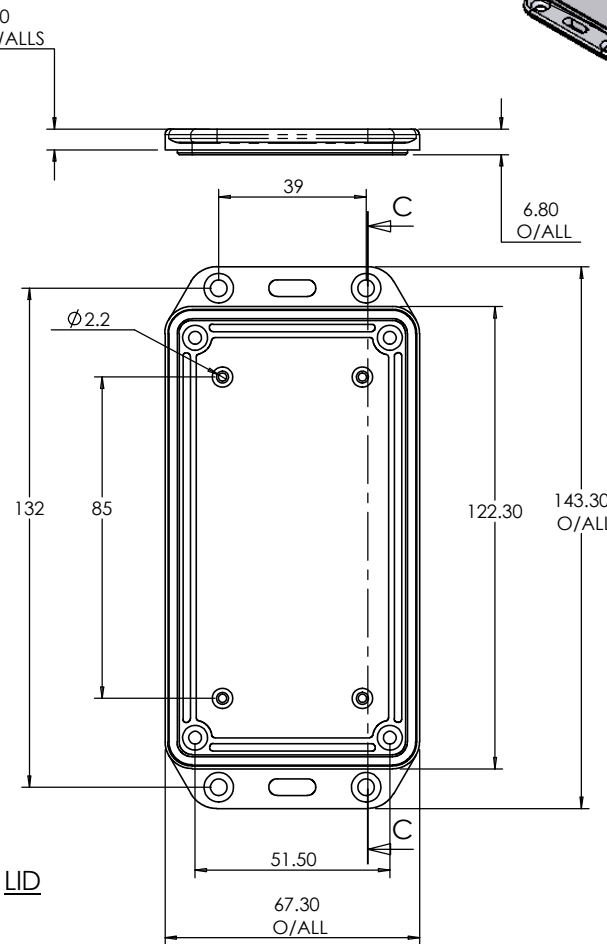
SECTION A-A



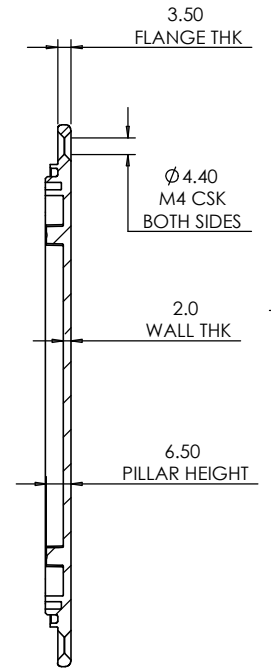
BASE



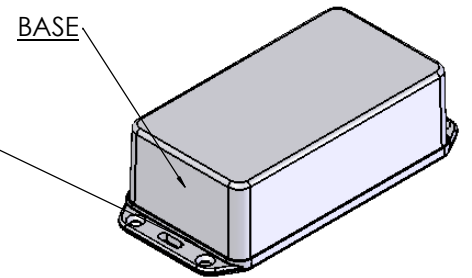
SECTION B-B




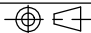
LID



SECTION C-C



ISO VIEW
1:3

 CAMDENBOSS JAMES CARTER RD, MILDENHALL, SUFFOLK. IP28 7DE TEL: 01638 716101 FAX: 01638 716554 EMAIL: Sales@CamdenBoss.com WEB: www.CamdenBoss.com		UNLESS OTHERWISE SPECIFIED: DIMENSIONS ARE IN MILLIMETERS		DO NOT SCALE DRAWING		REVISION. 0	
		FINISH. SMOOTH		TITLE: GNL ASSY DRG FOR IP 2000-SERIES ENCLOSURE			
DRAWN: SUBKHANKULOVA		SIGNED: LS		DATE: 27/02/09		MATERIAL. ABS	
CHK'D: -		-		-		DWG NO. 2004-IP	
				PROJECTION. 		SCALE: 1:2	
						SHEET 1 OF 1	

A4