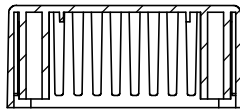


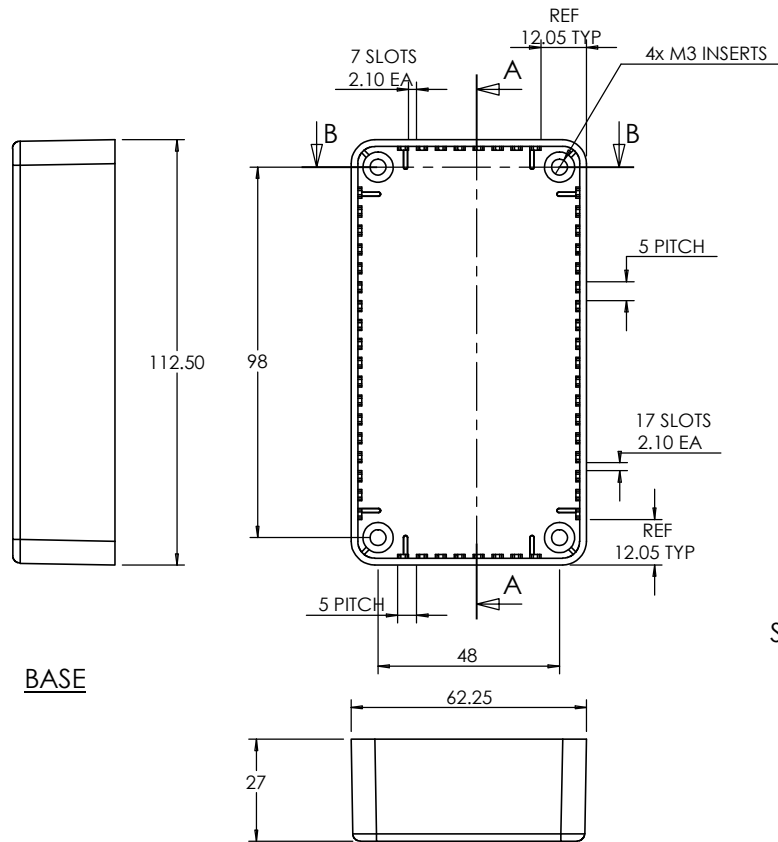
OVERALL ASSEMBLY DIMENSIONS:

EXTERNAL - 112 (131.5) x 62 x 31

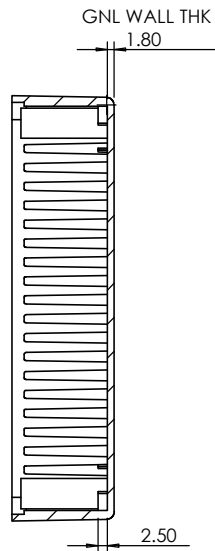
INTERNAL 108.4 x 58.4 x 27.4



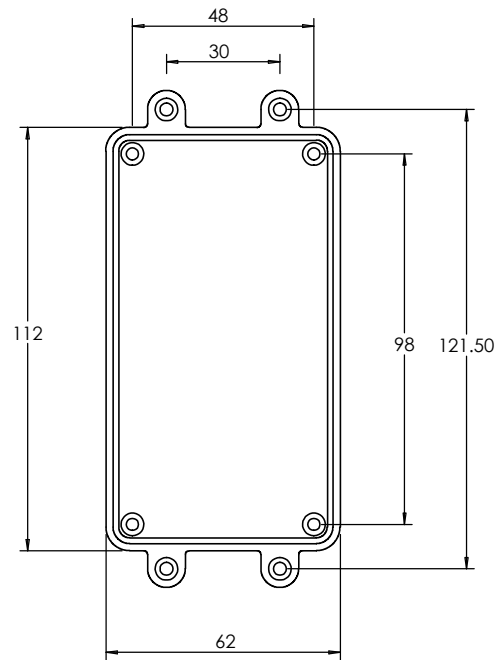
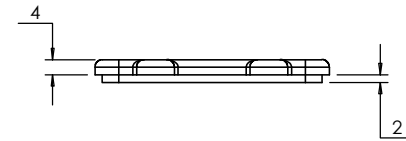
SECTION B-B



BASE



SECTION A-A

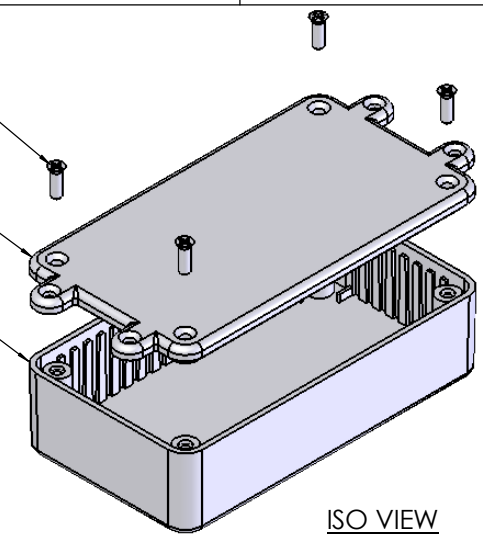


LID


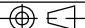
M3 CSK SCREW

LID

BASE



ISO VIEW

 CAMDENBOSS JAMES CARTER RD, MILDENHALL, SUFFOLK. IP28 7DE TEL: 01638 716101 FAX: 01638 716554 EMAIL: Sales@CamdenBoss.com WEB: www.CamdenBoss.com				UNLESS OTHERWISE SPECIFIED: DIMENSIONS ARE IN MILLIMETERS	DO NOT SCALE DRAWING	REVISION. 0
				FINISH. SMOOTH	TITLE: ASSEMBLY DRG FOR 2003,13-LUG	
DRAWN	NAME S.HARDINGE	SIGNED SJH	DATE 04/10/05	MATERIAL. ABS	DWG NO. 2003,13-LUG	A4
CHKD	-	-	-	PROJECTION. 	SCALE: 1:2	SHEET 1 OF 1