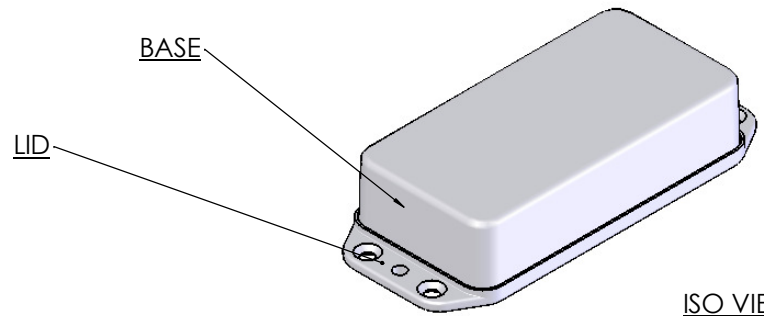


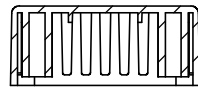
OVERALL ASSEMBLY DIMENSIONS:

EXTERNAL - 123 x 52 x 25.5

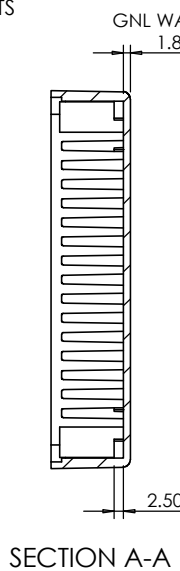
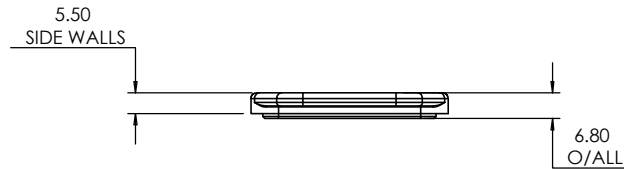
INTERNAL - 96.4 x 46.4 x 21.4



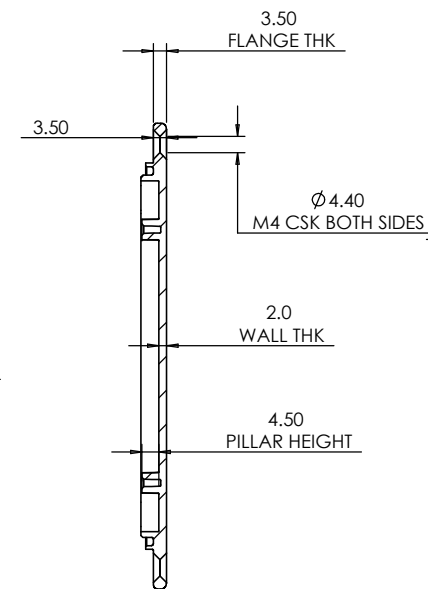
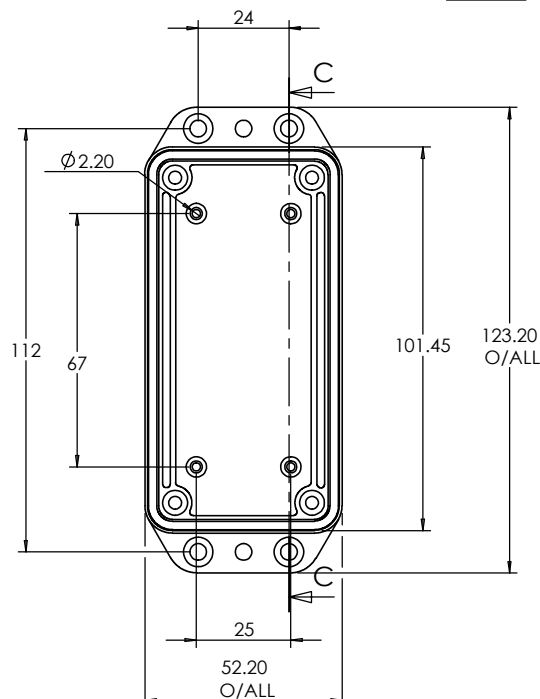
ISO VIEW
1:2



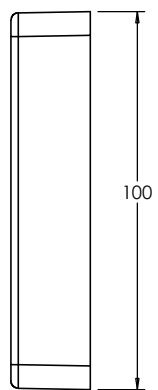
SECTION B-B



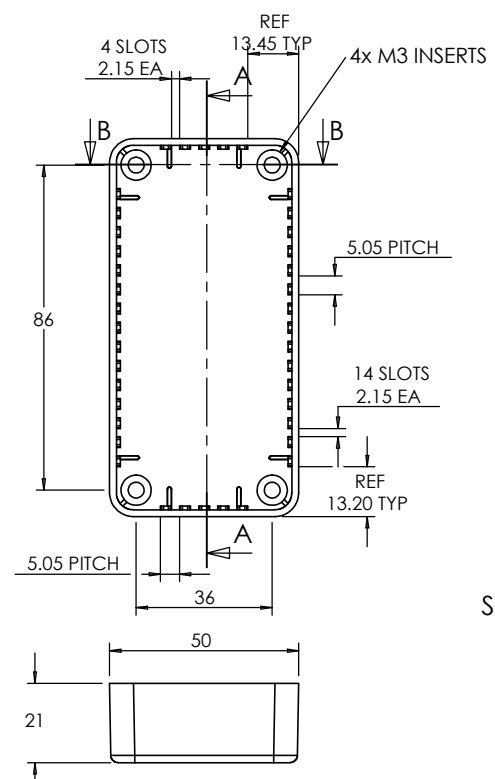
SECTION A-A



SECTION C-C



BASE



<p>CAMDENBOSS® CONNECT. ENCLOSE. INNOVATE.</p> <p>JAMES CARTER RD, MILDENHALL, SUFFOLK. IP28 7DE TEL: 01638 716101 FAX: 01638 716554 EMAIL: Sales@CamdenBoss.com WEB: www.CamdenBoss.com</p>		UNLESS OTHERWISE SPECIFIED: DIMENSIONS ARE IN MILLIMETERS		DO NOT SCALE DRAWING	REVISION. 0
		FINISH. SMOOTH		TITLE: GNL ASSEMBLY DRG FOR IP 2000-SERIES ENCLOSURE	
MATERIAL. ABS		DWG NO. 2002-IP		A4	
DRAWN SUBKHANKULOVA	LS	DATE 27/02/09	PROJECTION.	SCALE: 1:2	SHEET 1 OF 1