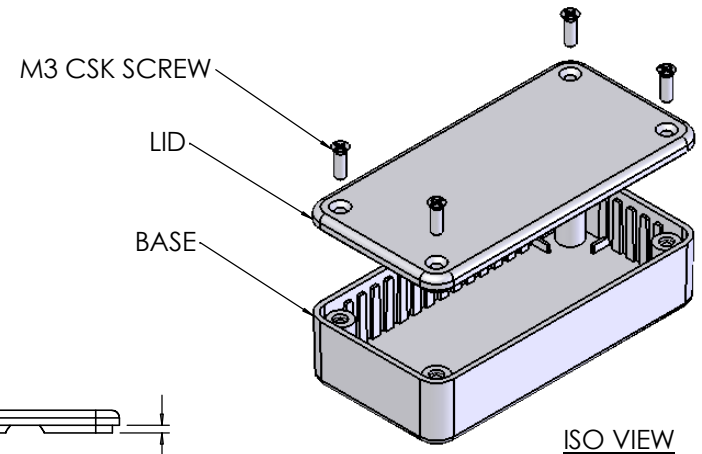


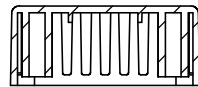
OVERALL ASSEMBLY DIMENSIONS:

EXTERNAL - 100 x 50 x 25

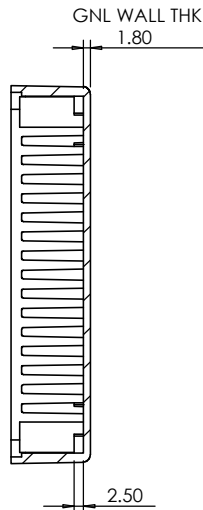
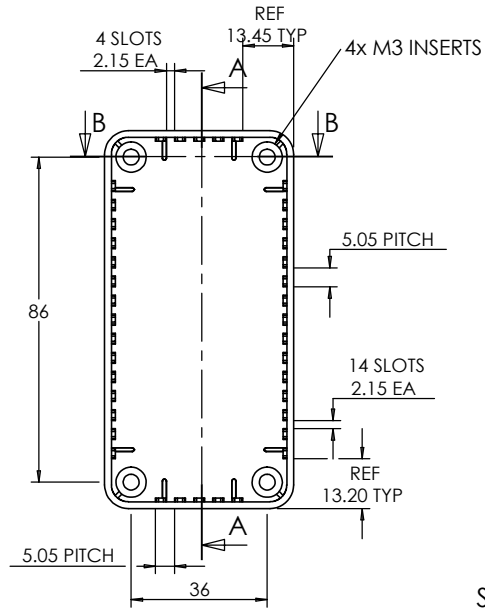
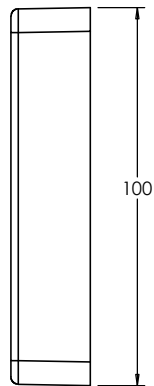
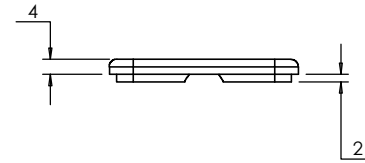
INTERNAL - 96.4 x 46.4 x 21.4



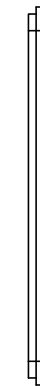
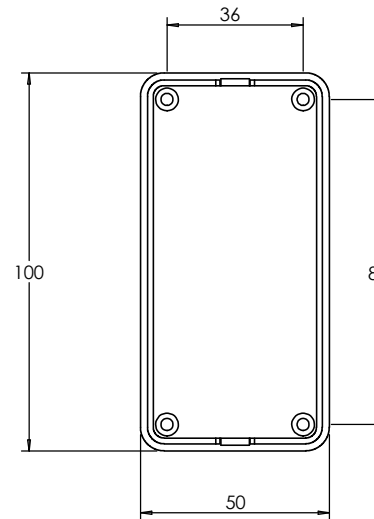
ISO VIEW



SECTION B-B

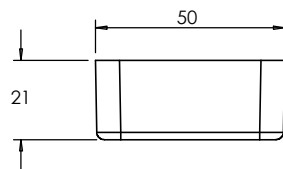



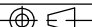
SECTION A-A



LID

BASE



|   |  |               |  |  |  |  |  |                           |  |              |
|---|--|---------------|--|--|--|--|--|---------------------------|--|--------------|
| <br><b>CAMDENBOSS</b><br>JAMES CARTER RD, MILDENHALL, SUFFOLK. IP28 7DE<br>TEL: 01638 716101 FAX: 01638 716554<br>EMAIL: Sales@CamdenBoss.com<br>WEB: www.CamdenBoss.com |  |               |  | UNLESS OTHERWISE SPECIFIED:<br>DIMENSIONS ARE IN MILLIMETERS |  | DO NOT SCALE DRAWING   |  | REVISION. 0               |  |              |
|   |  |               |  | FINISH.<br><b>SMOOTH</b>                                     |  | TITLE:<br><b>ASSEMBLY DRG FOR 2002/12</b>  |  |                           |  |              |
| DRAWN<br>S.HARDINGE   |  | SIGNED<br>SJH |  | DATE<br>04/10/05   |  | MATERIAL.<br><b>ABS</b>  |  | DWG NO.<br><b>2002,12</b> |  | A4           |
| CHK'D<br>-  |  | -             |  | -  |  | PROJECTION.<br> |  | SCALE: 1 : 2              |  | SHEET 1 OF 1 |