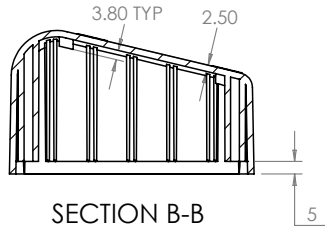


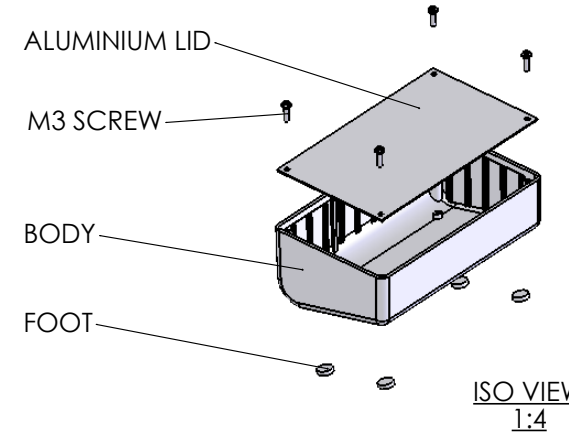
OVERALL ASSEMBLY DIMENSIONS:

EXTERNAL - 161.5 x 97 x 57max / 39min

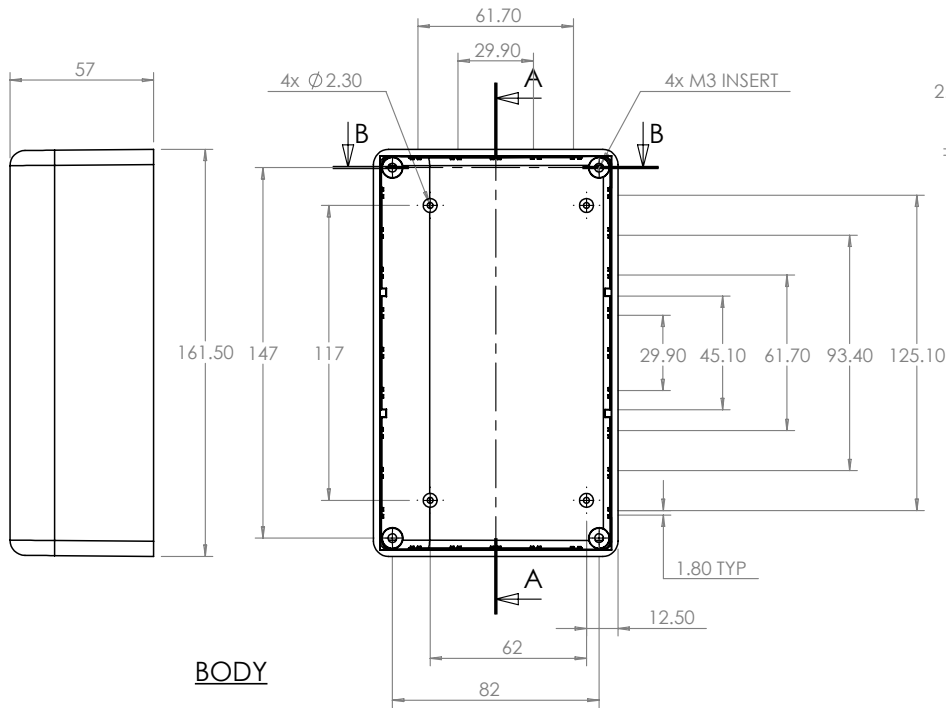
INTERNAL - 155.5 x 91 x 49max / 31min



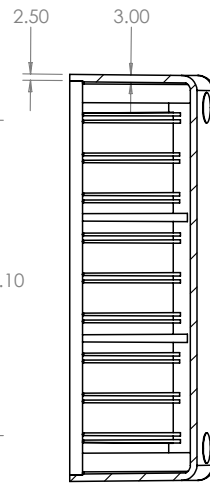
SECTION B-B



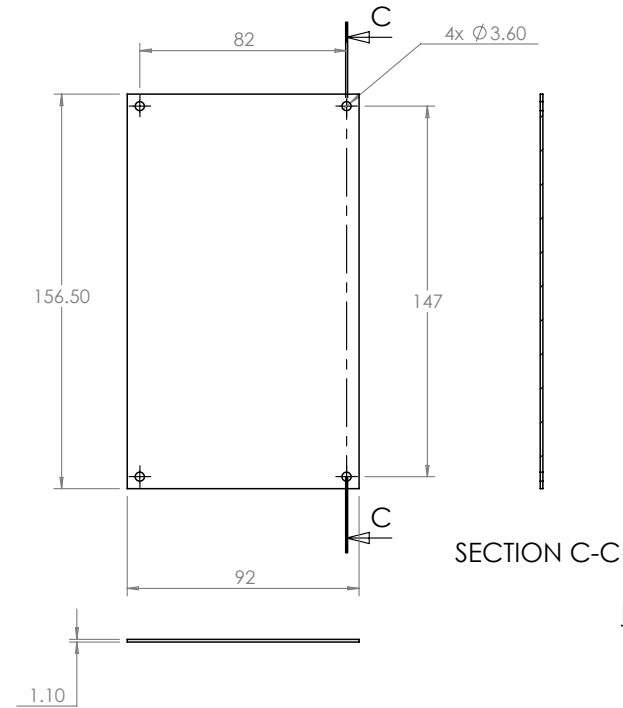
ISO VIEW
1:4



BODY

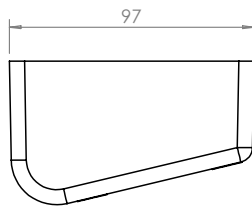


SECTION A-A





SECTION C-C

LID



97

 CAMDENBOSS JAMES CARTER RD, MILDENHALL, SUFFOLK, IP28 7DE TEL: 01638 716101 FAX: 01638 716554 EMAIL: Sales@CamdenBoss.com WEB: www.CamdenBoss.com				UNLESS OTHERWISE SPECIFIED: DIMENSIONS ARE IN MILLIMETERS		DO NOT SCALE DRAWING		REVISION. 0		
				FINISH. SMOOTH		TITLE: ASSEMBLY DRG FOR 1005				
DRAWN S.HARDINGE		SIGNED SJH		DATE 17/01/06		MATERIAL. VAR		DWG NO. 1005		A4
CHKD -		-		-		PROJECTION. 		SCALE: 1 : 3		SHEET 1 OF 1