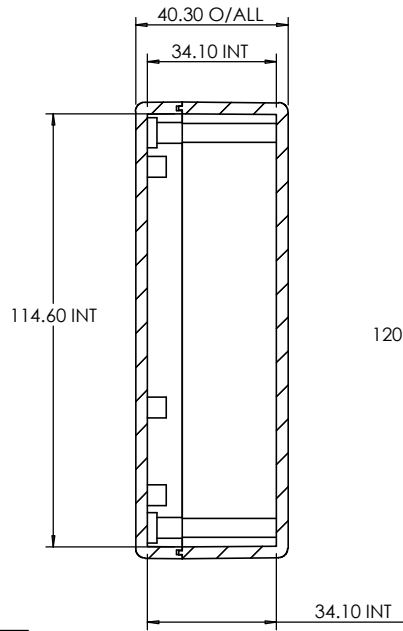
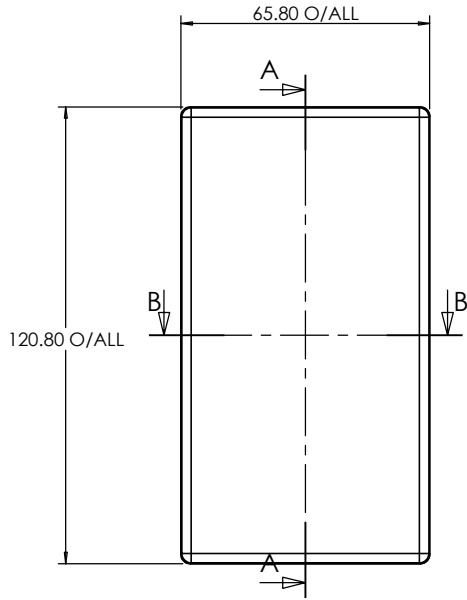


ASSEMBLY

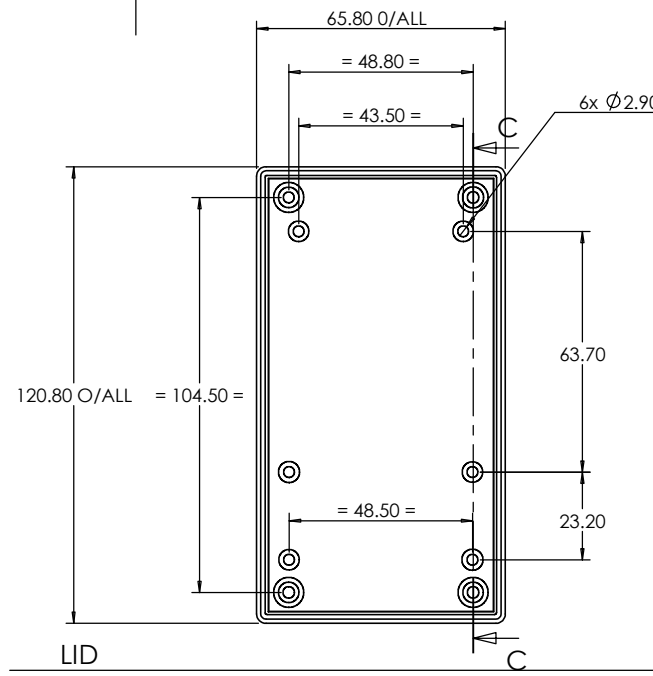
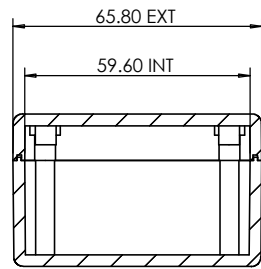
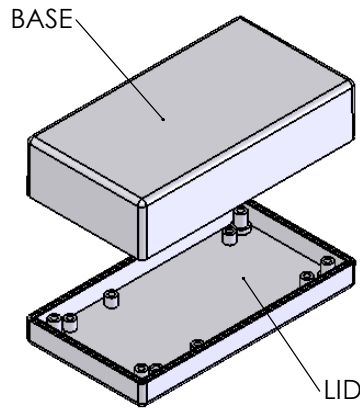


SECTION A-A

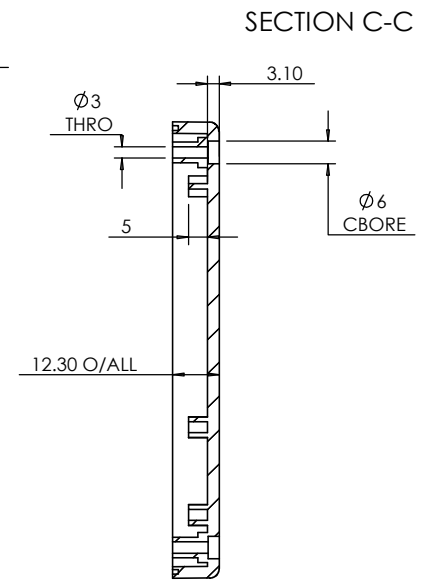


SECTION B-B

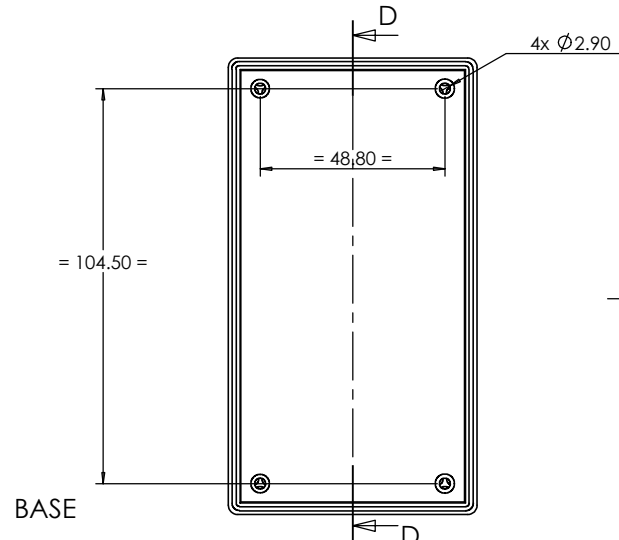
ISO VIEW
1:3



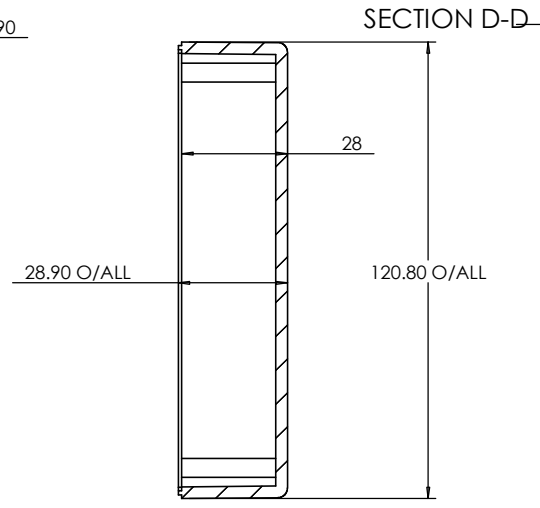
LID



SECTION C-C



BASE



SECTION D-D

<p>CAMDENBOSS JAMES CARTER RD, MILDENHALL, SUFFOLK, IP28 7DE TEL: 01638 716101 FAX: 01638 716554 EMAIL: Sales@CamdenBoss.com WEB: www.CamdenBoss.com</p>		UNLESS OTHERWISE SPECIFIED: DIMENSIONS ARE IN MILLIMETERS		DO NOT SCALE DRAWING	REVISION. 0
		FINISH: SMOOTH		TITLE: GNL ASSEMBLY DRG FOR 300 SERIES	
DRAWN: MATTHEW WALLACE		SIGNED: MJW	DATE: 15/12/10	MATERIAL: ABS	DWG NO. BE300-6540
CHK'D: L.SUBKHANKULOVA	LS	15/12/10	PROJECTION:	SCALE: 1 : 2	SHEET 1 OF 1

A4