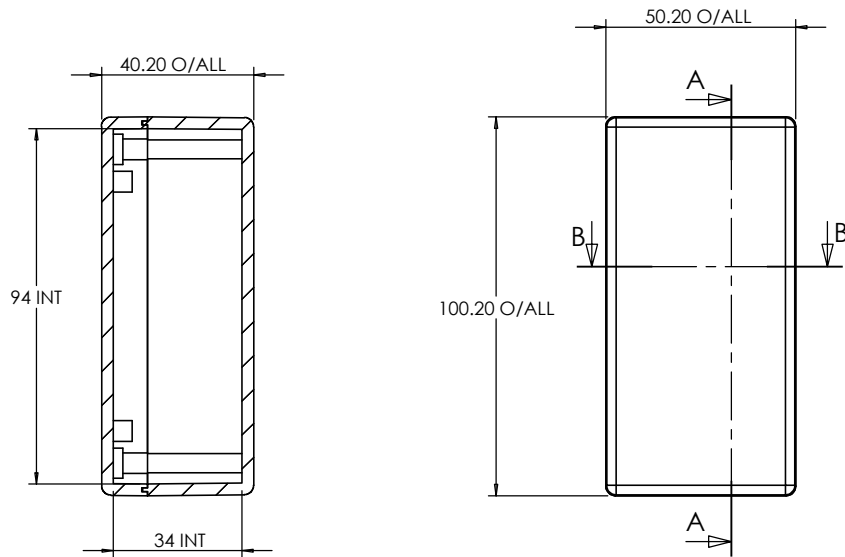
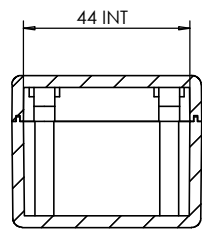


ASSEMBLY

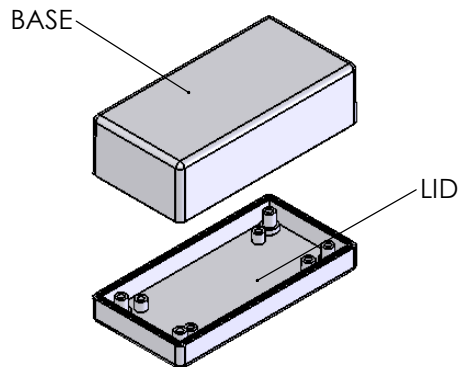


SECTION A-A

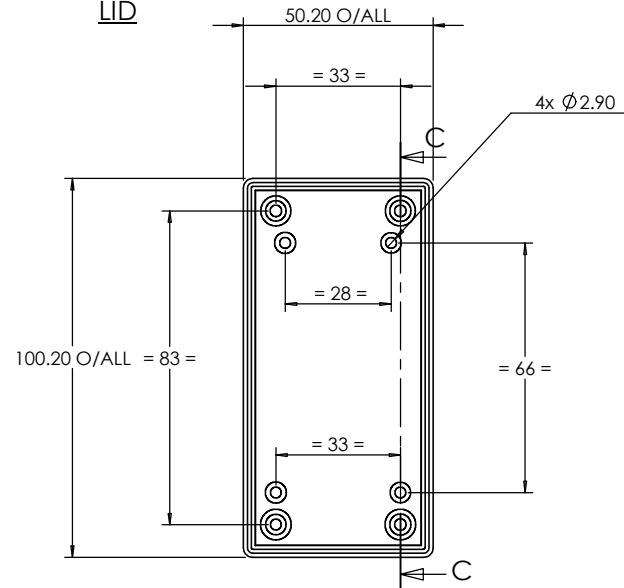


SECTION B-B

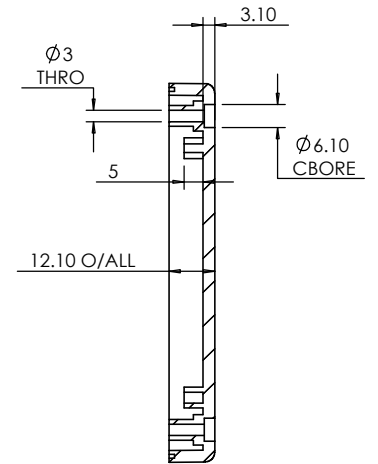
**ISO VIEW
1:3**



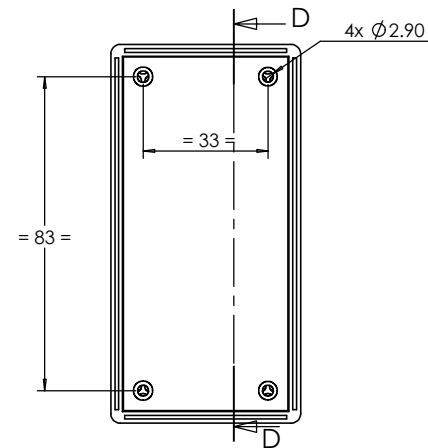
LID



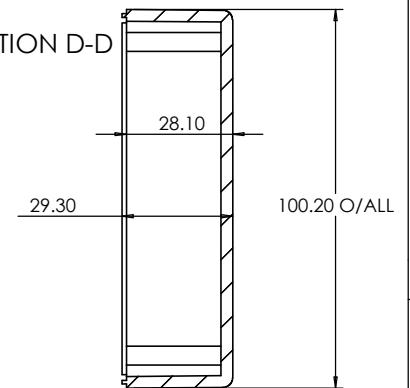
SECTION C-C


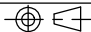


BASE



SECTION D-D



 CAMDENBOSS JAMES CARTER RD, MILDENHALL, SUFFOLK, IP28 7DE TEL: 01638 716101 FAX: 01638 716554 EMail: Sales@CamdenBoss.com WEB: www.CamdenBoss.com		UNLESS OTHERWISE SPECIFIED: DIMENSIONS ARE IN MILLIMETERS		DO NOT SCALE DRAWING	REVISION. 0
		FINISH. SMOOTH		TITLE: GNL ASSEMBLY DRG FOR 300 SERIES	
DRAWN	NAME	SIGNED	DATE	MATERIAL.	DWG NO.
CHK'D	MATTHEW WALLACE	MJW	15/12/10	ABS	BE300-5040
	L.SUBKHANKULOVA	LS	15/12/10	PROJECTION.	SCALE: 1 : 2
					SHEET 1 OF 1

A4