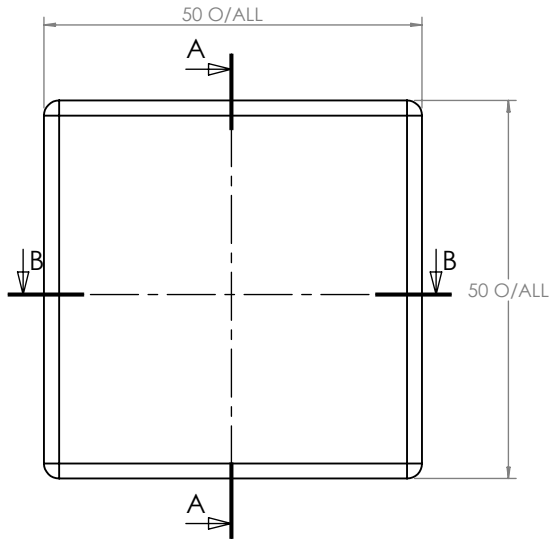
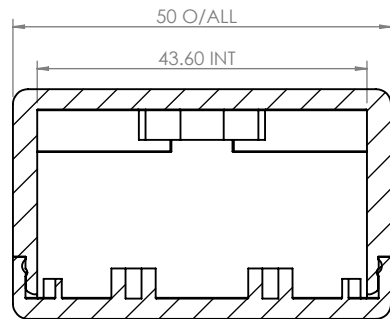


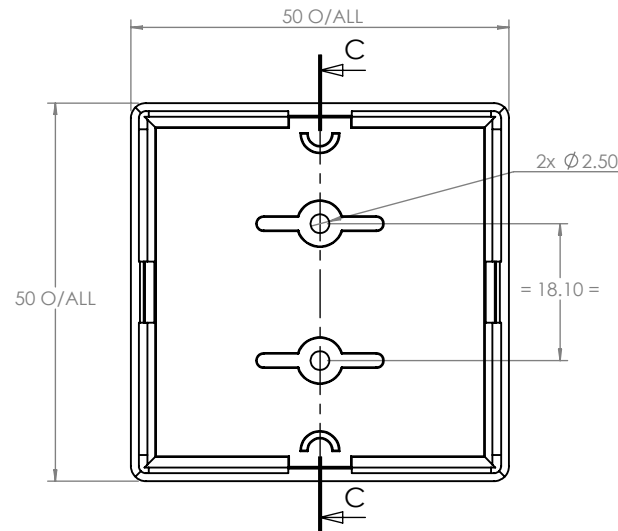
SECTION A-A



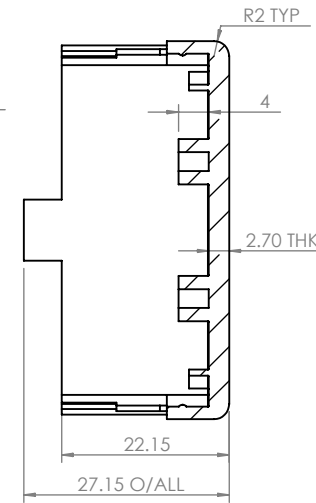
SECTION B-B



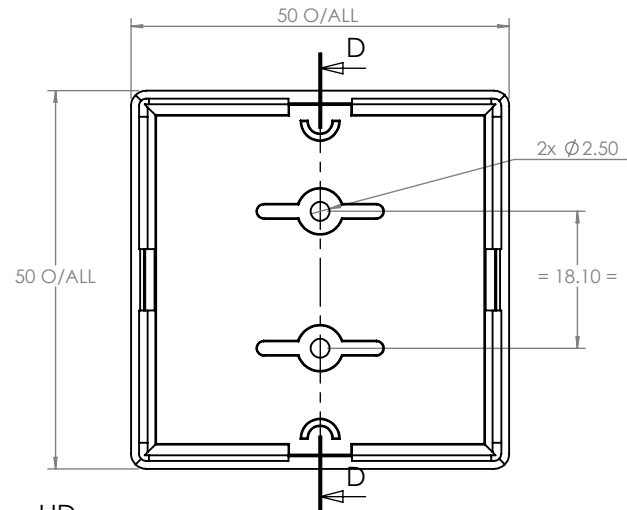
SECTION C-C



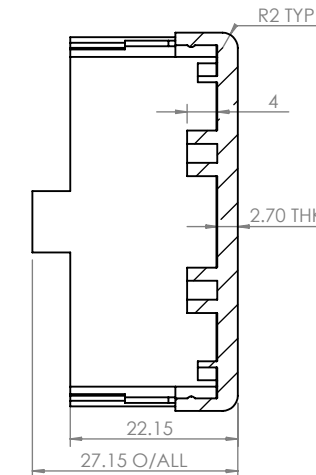
BASE



SECTION D-D

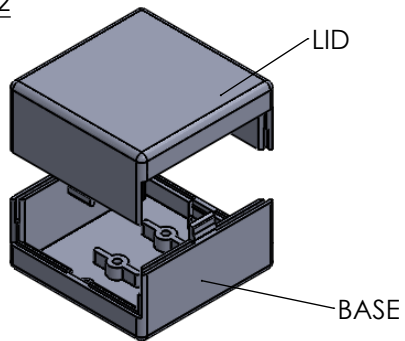




LID



ASSEMBLY

ISO VIEW
1:2



 CAMDENBOSS JAMES CARTER RD, MILDENHALL, SUFFOLK, IP28 7DE TEL: 01638 716101 FAX: 01638 716554 EMAIL: Sales@CamdenBoss.com WEB: www.CamdenBoss.com		UNLESS OTHERWISE SPECIFIED: DIMENSIONS ARE IN MILLIMETERS		DO NOT SCALE DRAWING		REVISION: 0	
		GENERAL TOLERANCES +/- 0.2		TITLE: GENERAL ASSEMBLY DRAWING FOR 300 SERIES			
FINISH: SMOOTH		MATERIAL: ABS		DWG. NO. 300-5030		A4	
DRAWN: MATTHEW WALLACE	SIGNED: MJW	DATE: 29/11/11	PROJECTION: 	SCALE: 1 : 1		SHEET 1 OF 1	