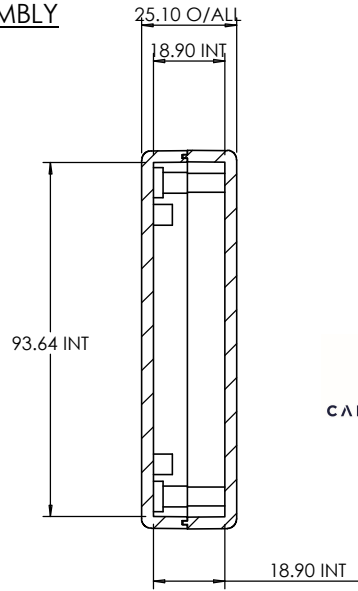
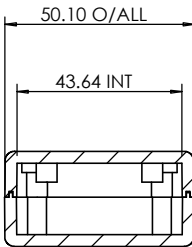
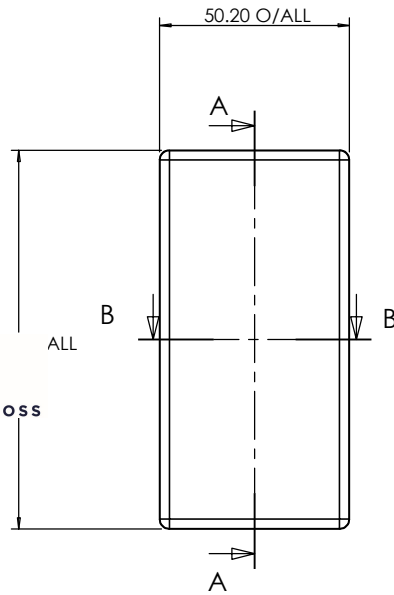


**ASSEMBLY**

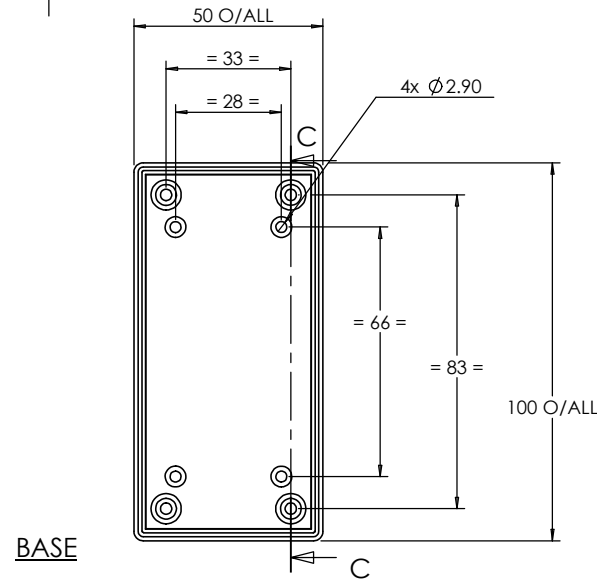
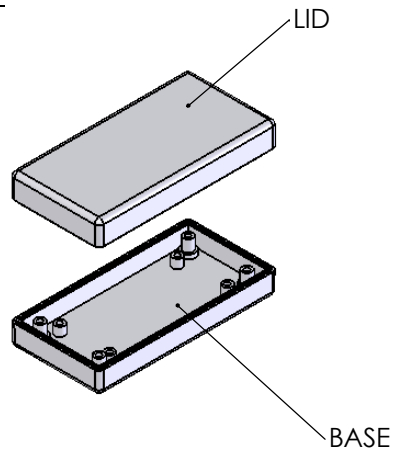


SECTION A-A



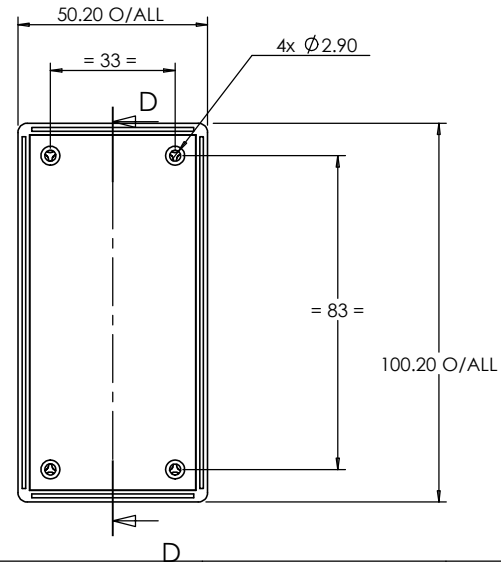
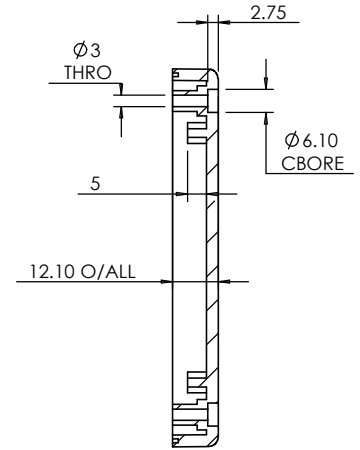
SECTION B-B

**ISO VIEW**  
1:3



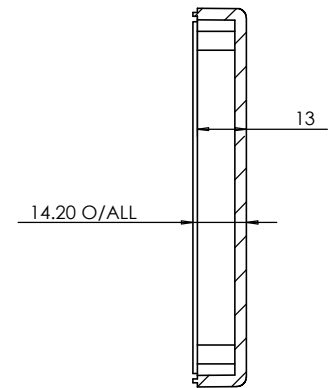
BASE

**SECTION C-C**



LID

**SECTION D-D**



 <b>CAMDENBOSS</b> JAMES CARTER RD, MILDENHALL, SUFFOLK. IP28 7DE TEL: 01638 716101 FAX: 01638 716554 EMAIL: Sales@CamdenBoss.com WEB: www.CamdenBoss.com		UNLESS OTHERWISE SPECIFIED: DIMENSIONS ARE IN MILLIMETERS		DO NOT SCALE DRAWING	REVISION. 0	
		FINISH. <b>SMOOTH</b>		TITLE: <b>GNL ASSEMBLY DRG FOR 300 SERIES</b>		
	NAME	SIGNED	DATE	MATERIAL. <b>ABS</b>	DWG NO. <b>300-5025</b>	<b>A4</b>
DRAWN	SUBKHANKULOVA	LS	29/06/09	PROJECTION.	SCALE: 1 : 2	
CHK'D	STUART HARDINGE	SJH	29//06/09	SHEET 1 OF 1		