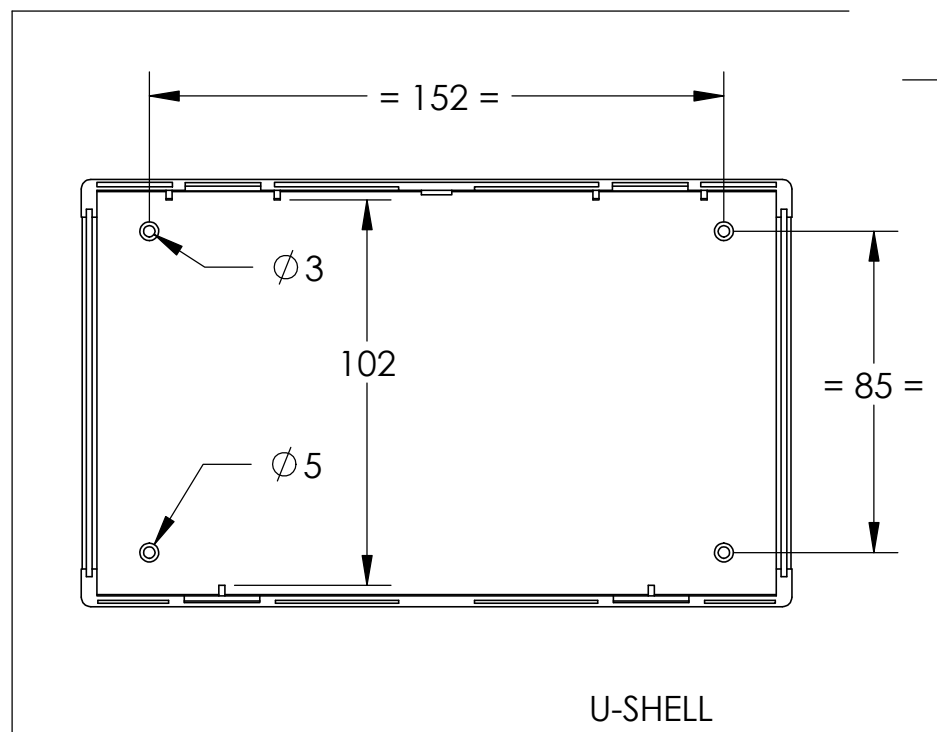
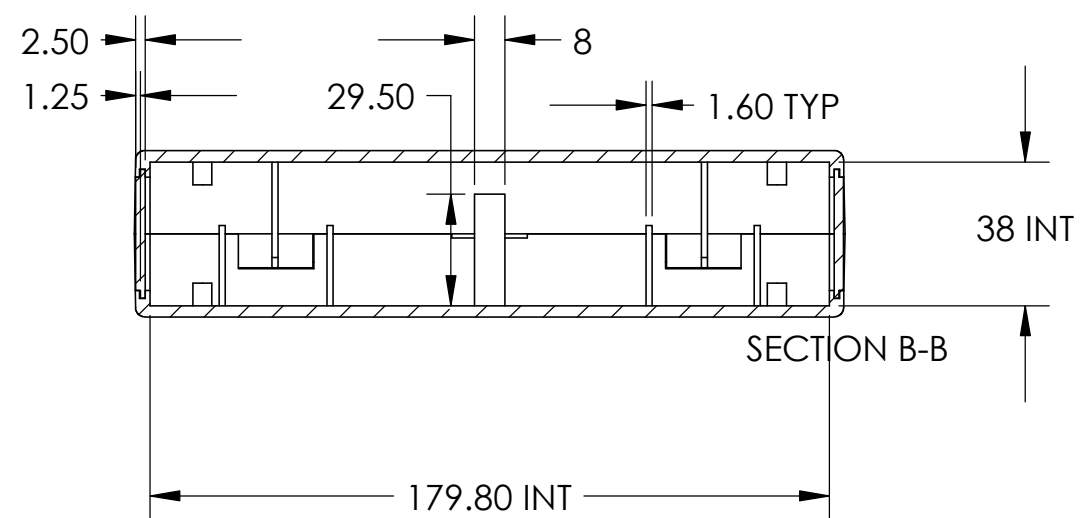
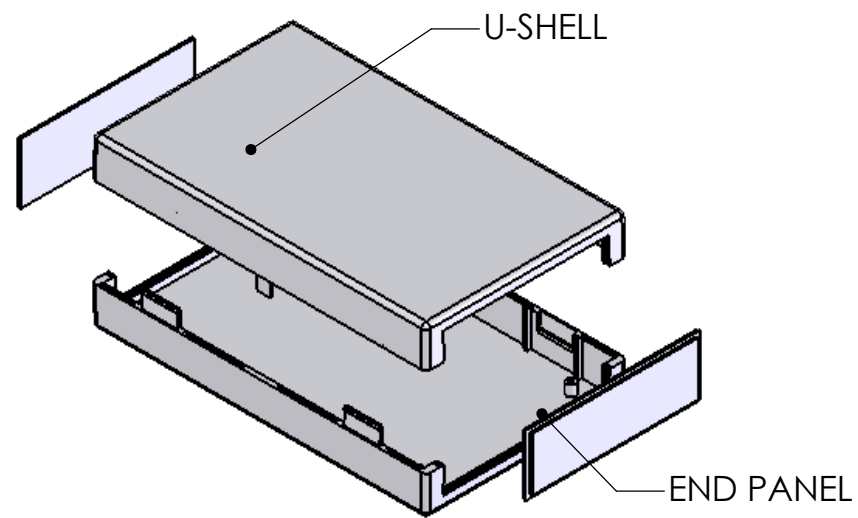

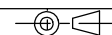


ISO VIEW
1:3



 CAMDENBOSS JAMES CARTER RD, MILDENHALL, SUFFOLK, IP28 7DE TEL: 01638 716101 FAX: 01638 716554 EMAIL: Sales@CamdenBoss.com WEB: www.CamdenBoss.com				UNLESS OTHERWISE SPECIFIED: DIMENSIONS ARE IN MILLIMETERS		DO NOT SCALE DRAWING	REVISION: O	
				FINISH: FINE TEXTURE		TITLE: GENERAL ASSEMBLY DRAWING FOR 300 SERIES -1145		
DRAWN	MATTHEW WALLACE	SIGNATURE	MJW	DATE	03/03/11	MATERIAL: UL-94 VO ABS	DWG NO. 300-1145 ASSY	A3
CHK'D	L SUBKHANKULOVA	LS		03/03/11		PROJECTION: 	SCALE:1:2	SHEET 1 OF 1