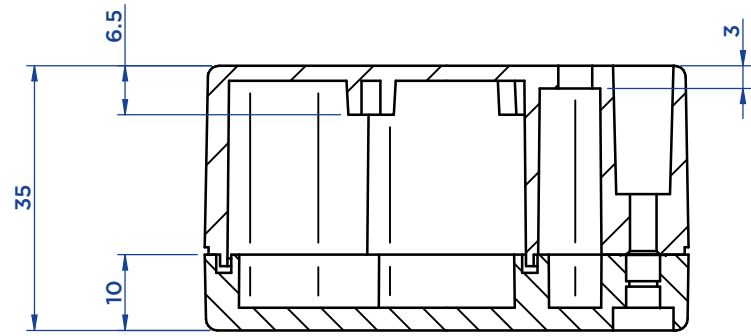
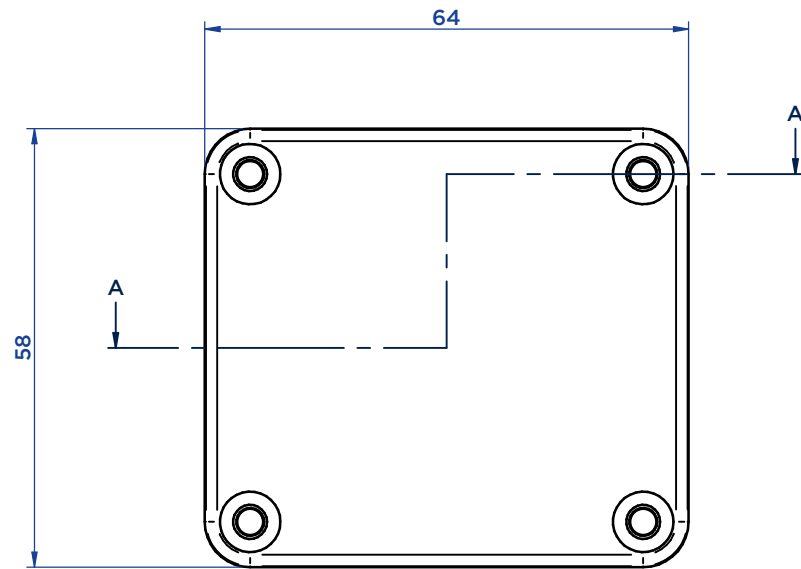


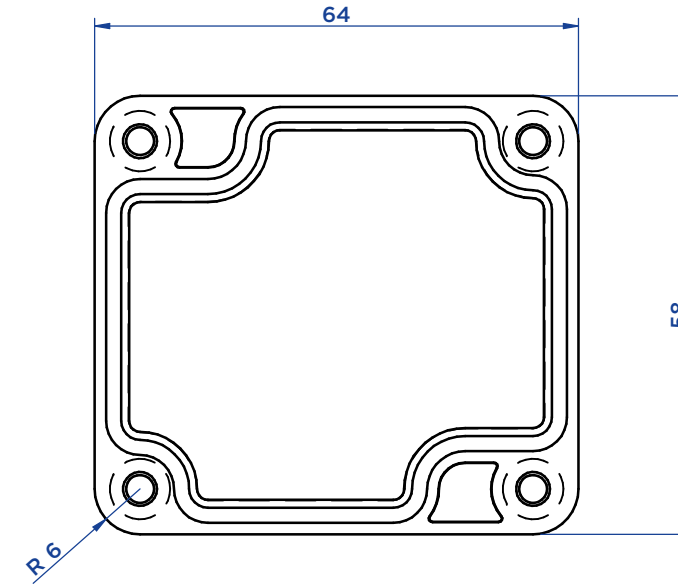
ASSEMBLY



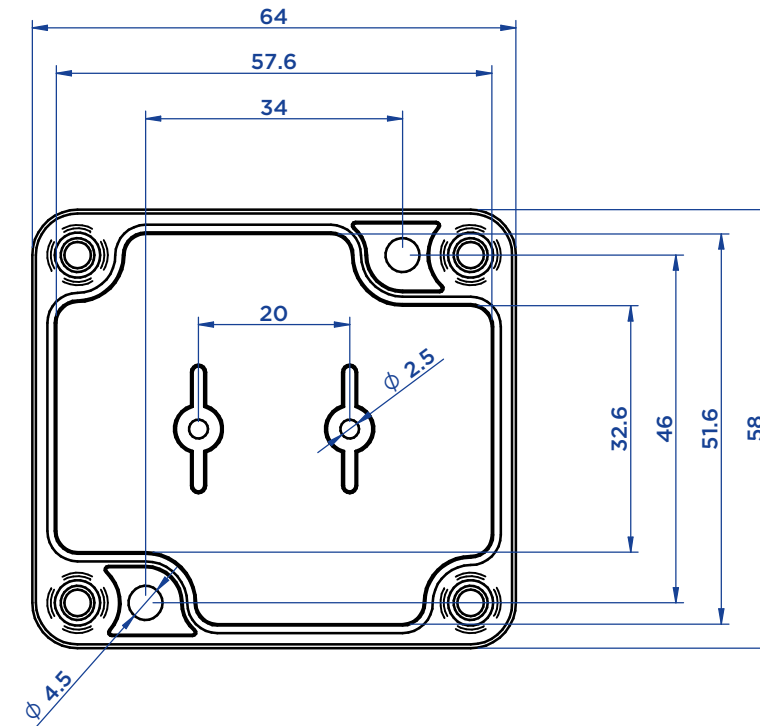
SECTION A-A



LID



BODY



-			-			COLOUR: SEE DATASHEET	GAUGE:	DO NOT SCALE DRAWING DEBURR AND BREAK SHARP EDGES	SCALE: 1:1
A			DRAWING UPDATED TO CURRENT CAD, ON NEW TEMPLATE			S. HARDINGE	FINISH: SMOOTH	TITLE: GNL ASSEMBLY DRG FOR 7300 SERIES SIZE 302	
O			-		-	MATERIAL: ABS	DWG NO: 7300_302 -A		A3
REVISION	DATE	INPD #	DESCRIPTION	COMPLETED BY	DRAWING UNITS: MILLIMETERS TOLERANCES: SEE CRITICAL DIMENSIONS	PROJECTION			