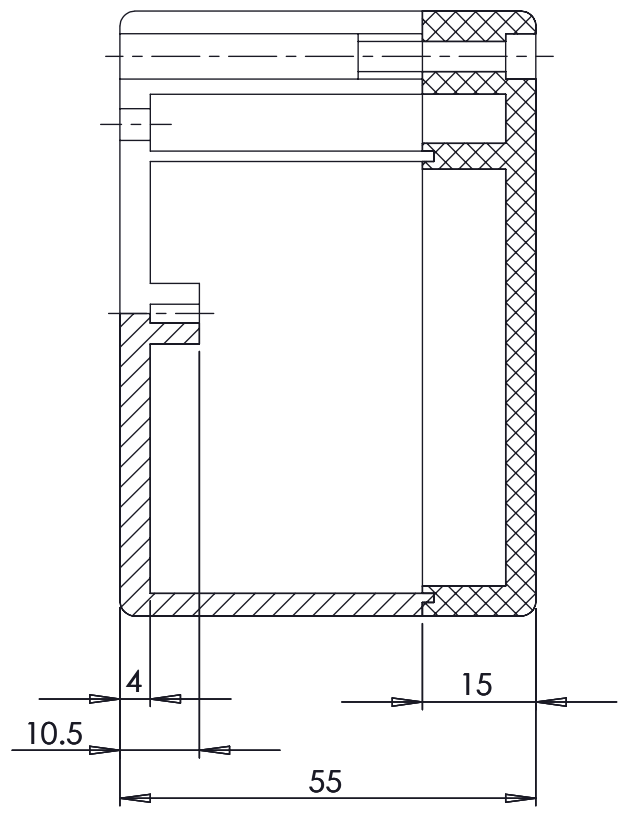
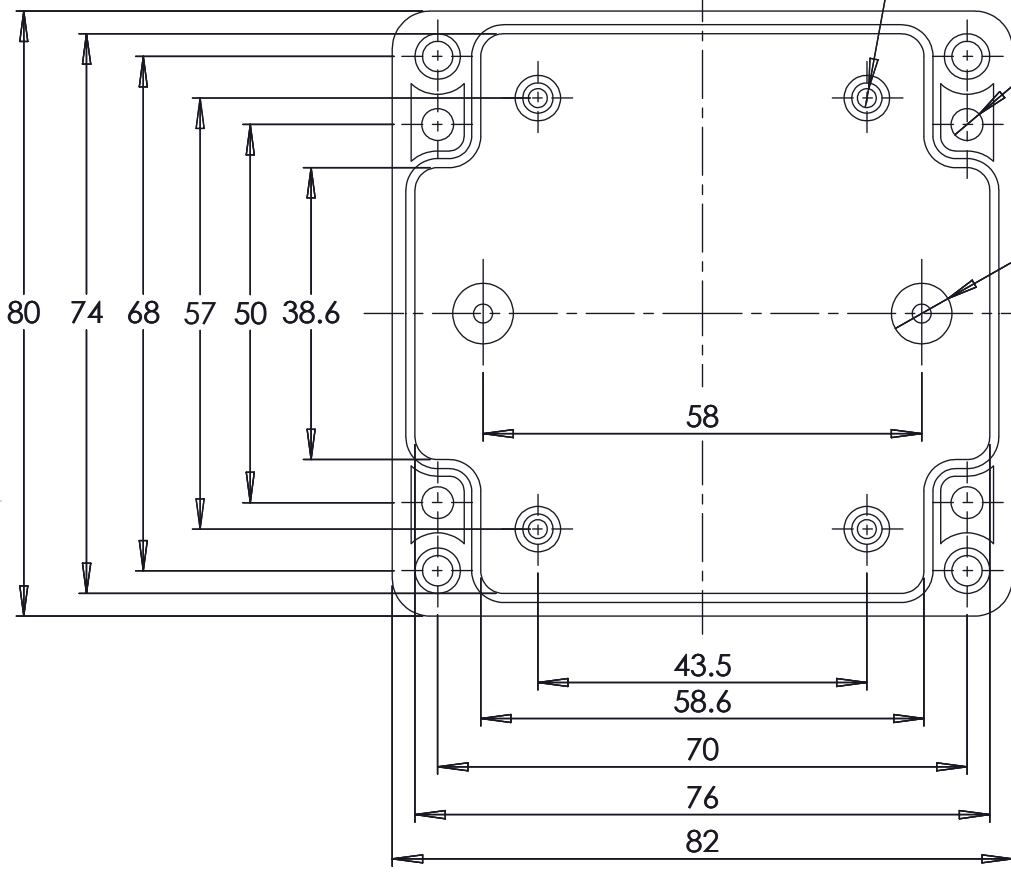




x4 M3 PCB PILLARS

Ø 4.2

Ø 8x6



 CAMDENBOSS JAMES CARTER RD, MILDENHALL, SUFFOLK. IP28 7DE TEL: 01638 716101 FAX: 01638 716554 EMAIL: Sales@CamdenBoss.com WEB: www.CamdenBoss.com				UNLESS OTHERWISE SPECIFIED: DIMENSIONS ARE IN MILLIMETERS		DO NOT SCALE DRAWING		REVISION. 0	
				FINISH. SMOOTH		TITLE: GNL ASSEMBLY DRG FOR 7200 SERIES			
DRAWN SUBKHANKULOVA		SIGNED LS	DATE 26/02/09	MATERIAL. POLYCARBONATE		DWG NO. 7200-256		A4	
CHKD -		-	-	PROJECTION. 		SCALE. 1 : 1		SHEET 1 OF 1	