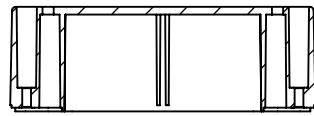


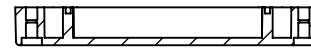
OVERALL ASSEMBLY DIMENSIONS:

EXTERNAL - 171 × 121 × 55

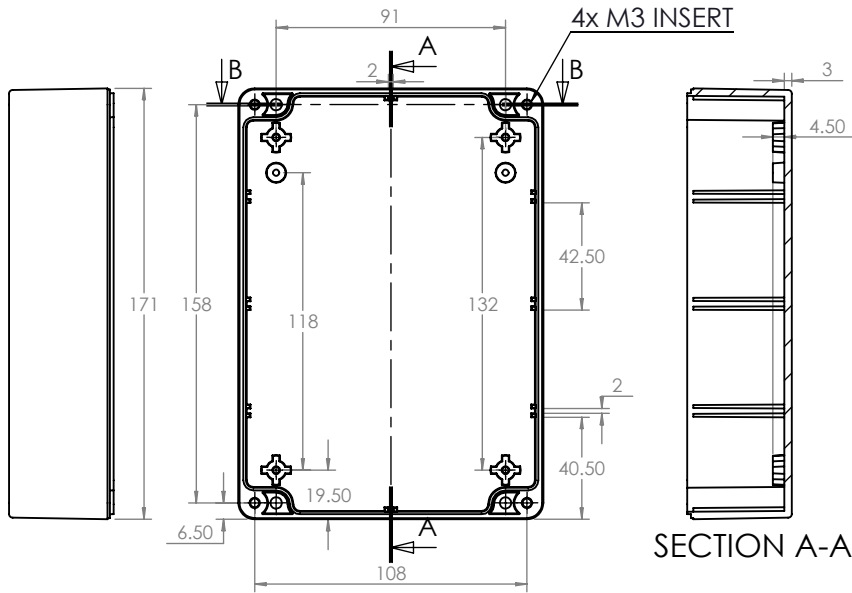
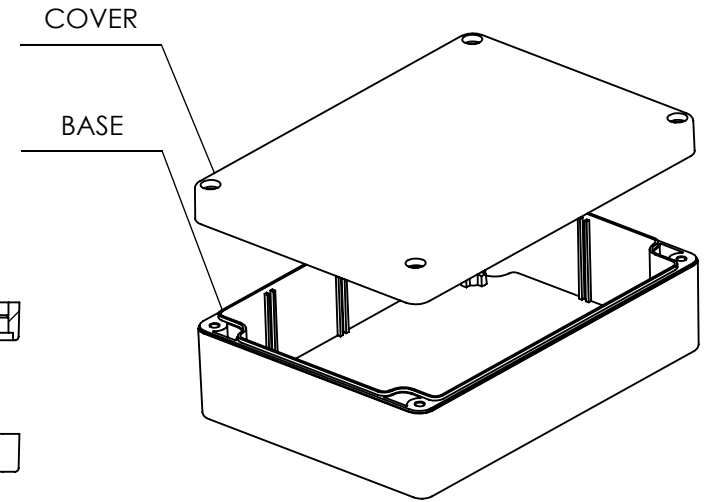
INTERNAL - 164.33 × 114.33 × 49



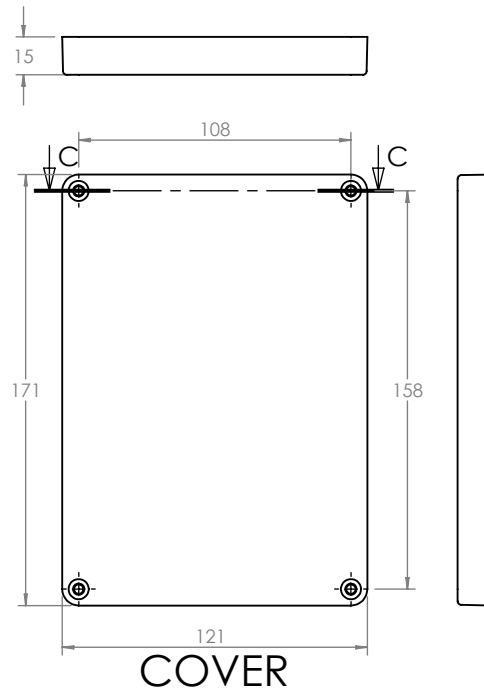
SECTION B-B



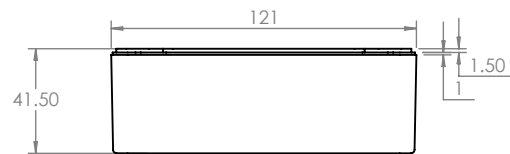
SECTION C-C





SECTION A-A



COVER



BASE

 <b>CAMDENBOSS</b> JAMES CARTER RD, MILDENHALL, SUFFOLK. IP28 7DE TEL: 01638 716101 FAX: 01638 716554 EMAIL: Sales@CamdenBoss.com WEB: www.CamdenBoss.com		UNLESS OTHERWISE SPECIFIED: DIMENSIONS ARE IN MILLIMETERS	DO NOT SCALE DRAWING	REVISION. O
		GENERAL TOLERANCES +/- 0.2	TITLE: 7200-214C	
DRAWN: IBRAHIM ALSAHEB		SIGNED: -	DATE: 25/8/2013	MATERIAL: POLYCARBONATE
CHKD: -		-		PROJECTION: 
		DWG NO. 7200-214C		A4
		SCALE: 1 : 2		SHEET 1 OF 1