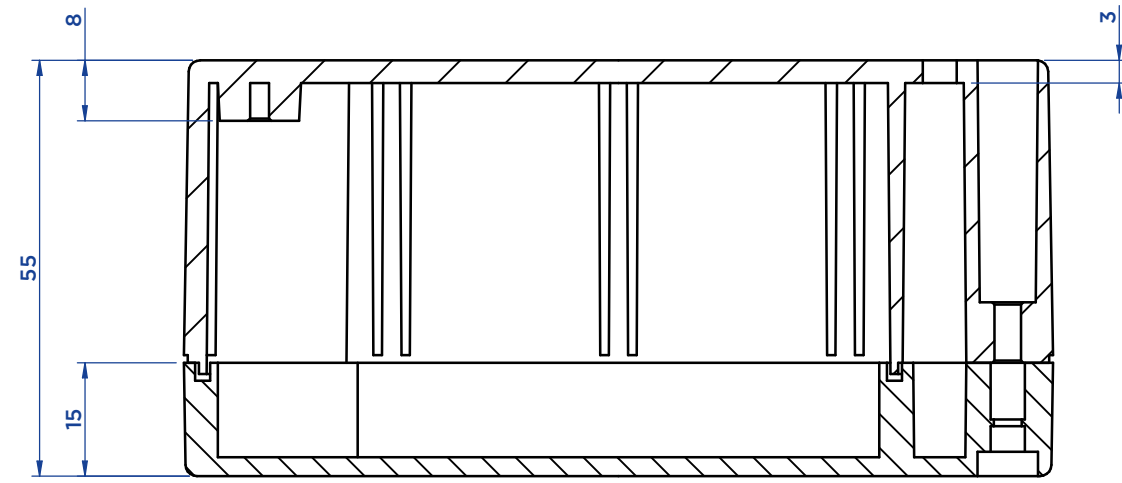
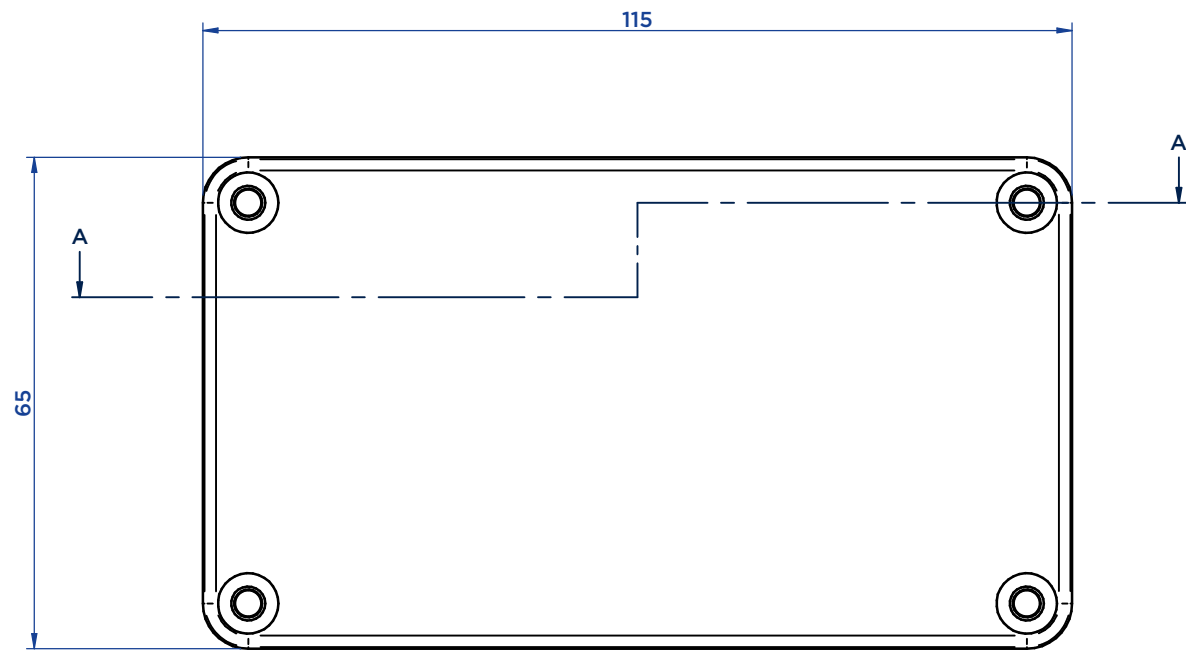


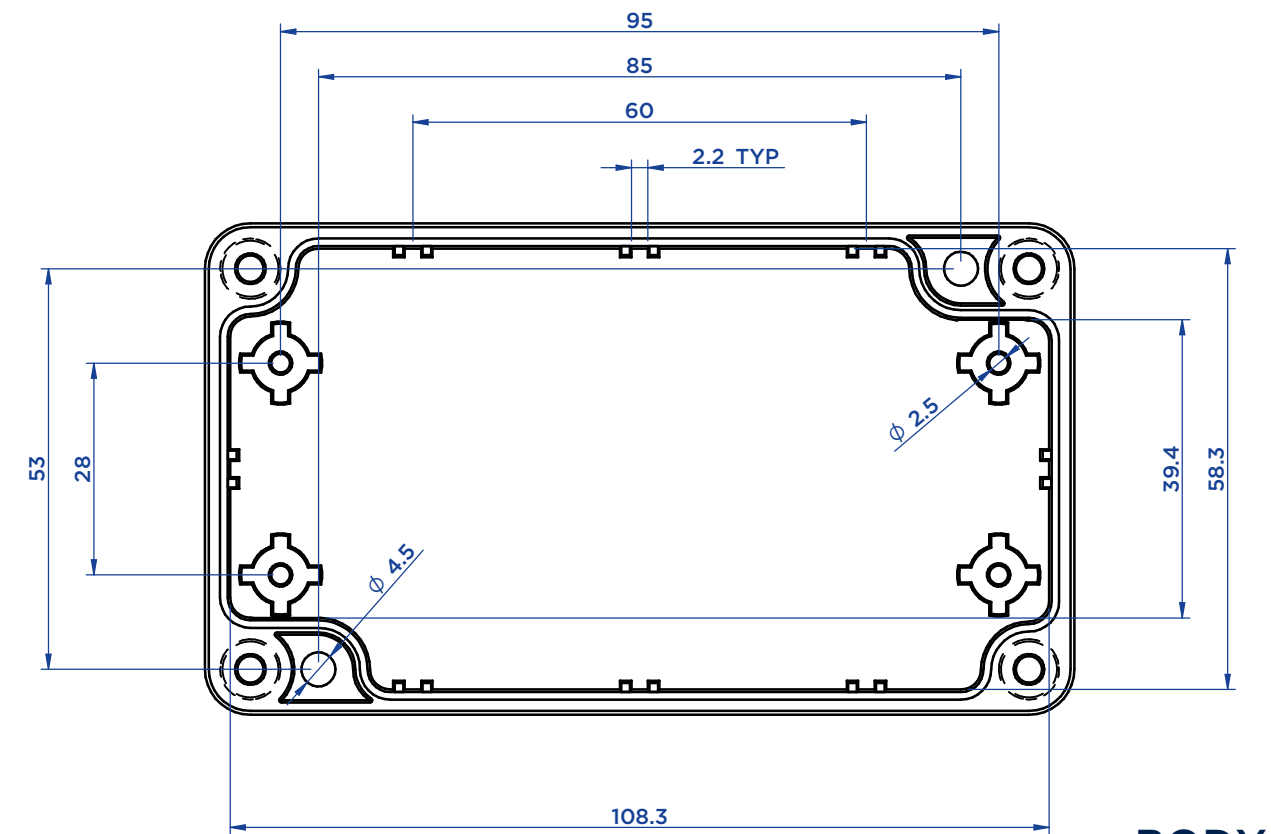
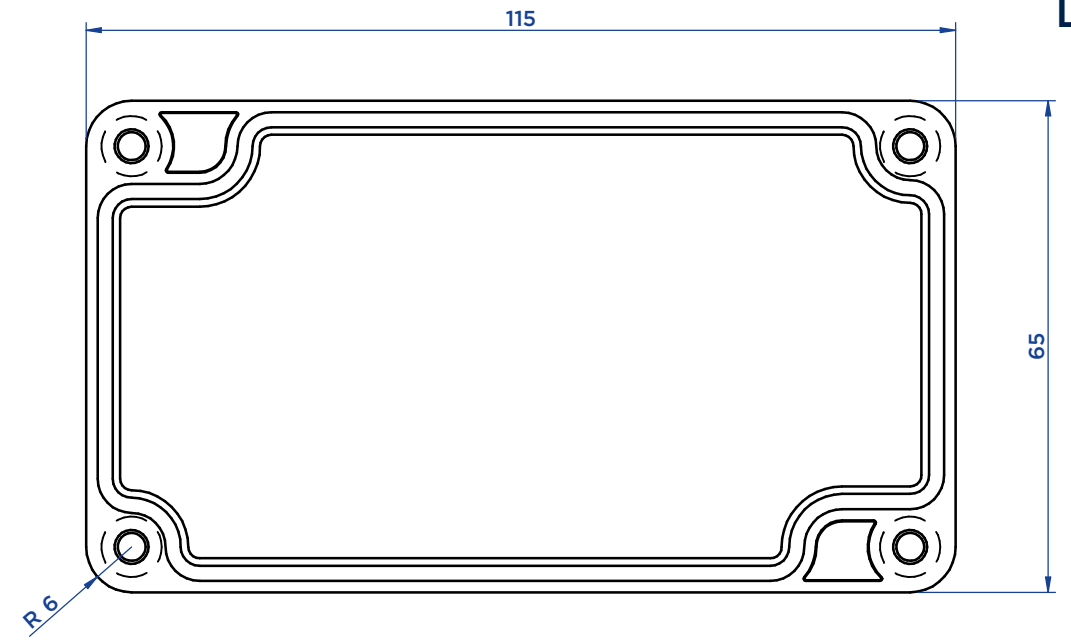
ASSEMBLY




SECTION A-A



LID



BODY

-			-		 CAMDENBOSS <small>CONNECT. ENCLOSE. INNOVATE.</small>	COLOUR: SEE DATASHEET	GAUGE:	DO NOT SCALE DRAWING DEBURR AND BREAK SHARP EDGES	SCALE: 1:1
A	08.03.24	522	UPDATED TO LATEST CAD MODEL			S.HARDINGE	FINISH: SMOOTH	TITLE: GNL ASSEMBLY DRAWING FOR 7300 SERIES SIZE 308	
O	26.02.09	-	FIRST DRAWN		L. SUBKHANKULOVA	DRAWING UNITS: MILLIMETERS TOLERANCES: SEE CRITICAL DIMENSIONS	PROJECTION	MATERIAL: PC	DWG NO: 7200_205 -A
REVISION	DATE	INPD #	DESCRIPTION		COMPLETED BY				A3