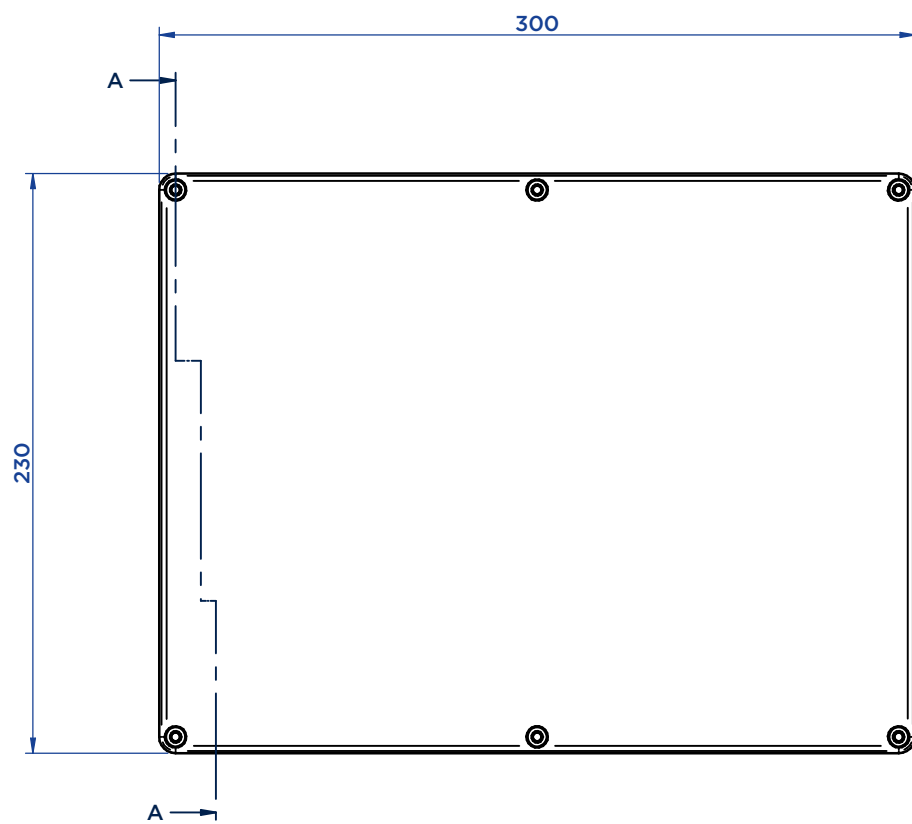
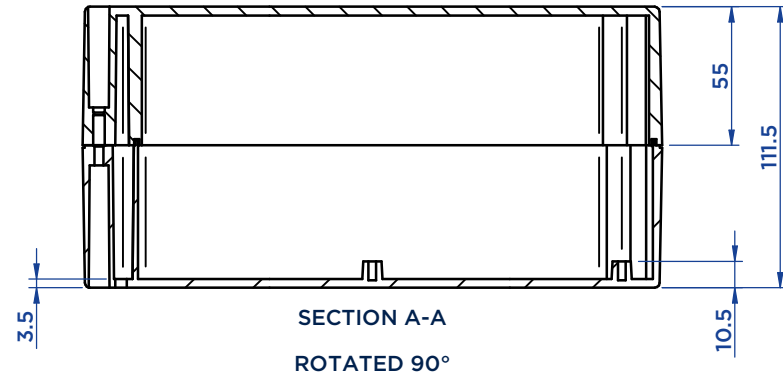
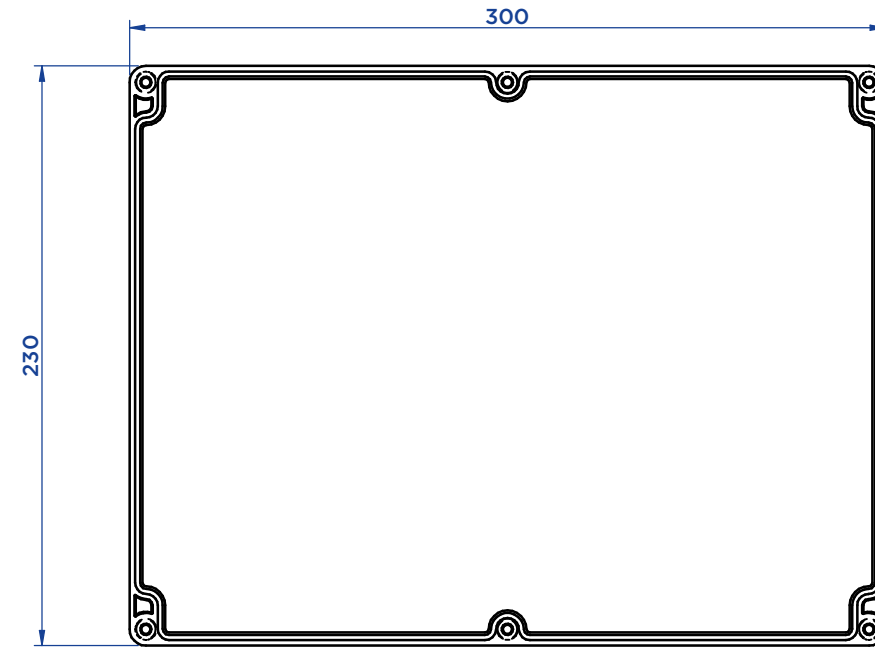


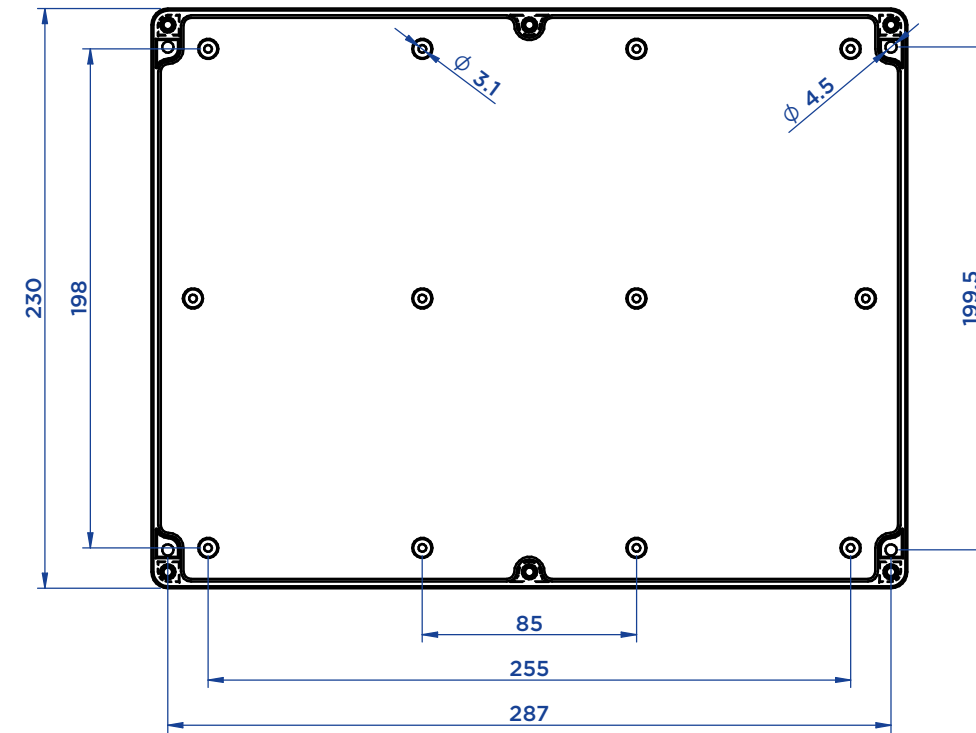
# ASSEMBLY



# LID



# BODY



REVISION	DATE	INPD #	DESCRIPTION	COMPLETED BY
-	-	-	-	-
A	08.03.24	522	UPDATED TO LATEST CAD MODEL	S. HARDINGE
O	26.02.09	-	FIRST DRAWN	L. SUBKHANKULOVA

**CAMDENBOSS**  
CONNECT. ENCLOSE. INNOVATE.

DRAWING UNITS: MILLIMETERS  
TOLERANCES: SEE CRITICAL DIMENSIONS

PROJECTION

COLOUR: SEE DATASHEET  
FINISH: SMOOTH  
MATERIAL: PC

GAUGE: DO NOT SCALE DRAWING  
DEBURR AND BREAK SHARP EDGES

TITLE: GNL ASSEMBLY DRG FOR 7300 SERIES  
SIZE 3031

DWG NO: 7200\_2038 -A

SCALE: 1:3  
SHEET 1 OF 1

**A3**