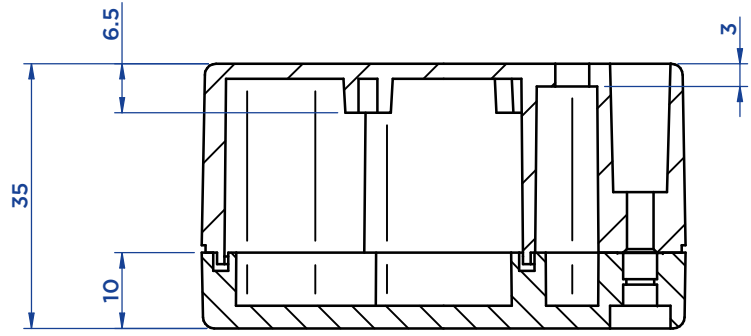
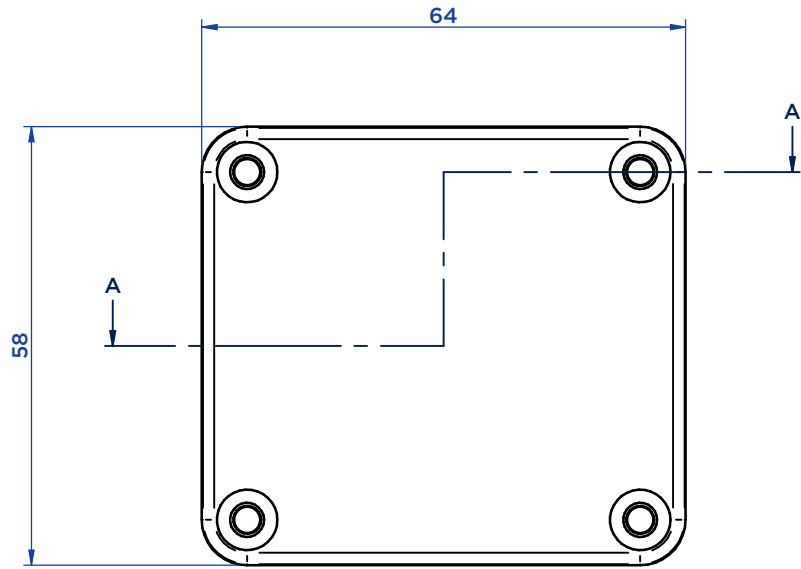


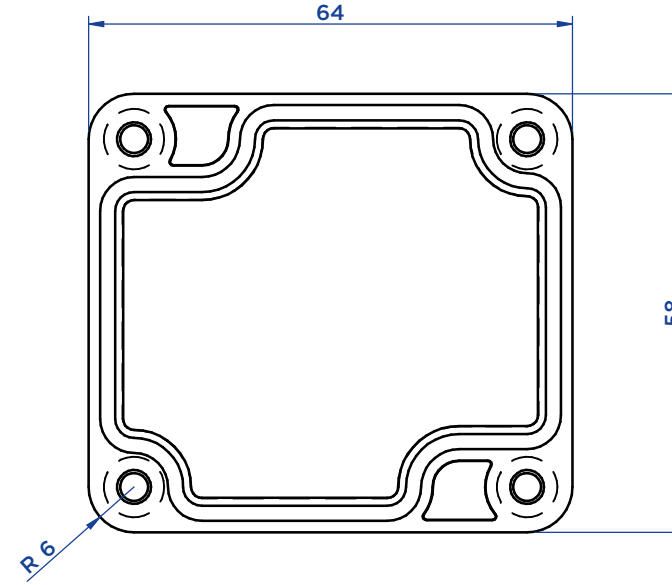
# ASSEMBLY



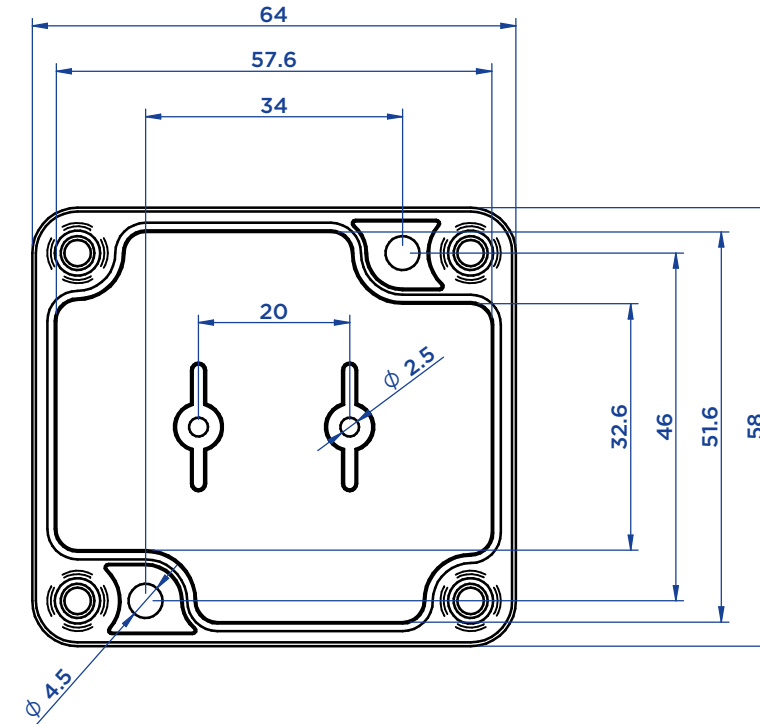
SECTION A-A



# LID



# BODY



-			-			COLOUR: SEE DATASHEET	GAUGE:	DO NOT SCALE DRAWING DEBURR AND BREAK SHARP EDGES	SCALE: 1:1
A	07.03.24	522	DRAWING UPDATED TO CURRENT CAD, ON NEW TEMPLATE			S. HARDINGE	FINISH: SMOOTH	TITLE: GNL ASSEMBLY DRG FOR 7300 SERIES SIZE 302	
O	25.02.09	-	-		-	MATERIAL: PC	DWG NO: 7200_201 -A		A3
REVISION	DATE	INPD #	DESCRIPTION		COMPLETED BY	DRAWING UNITS: MILLIMETERS TOLERANCES: SEE CRITICAL DIMENSIONS	PROJECTION		