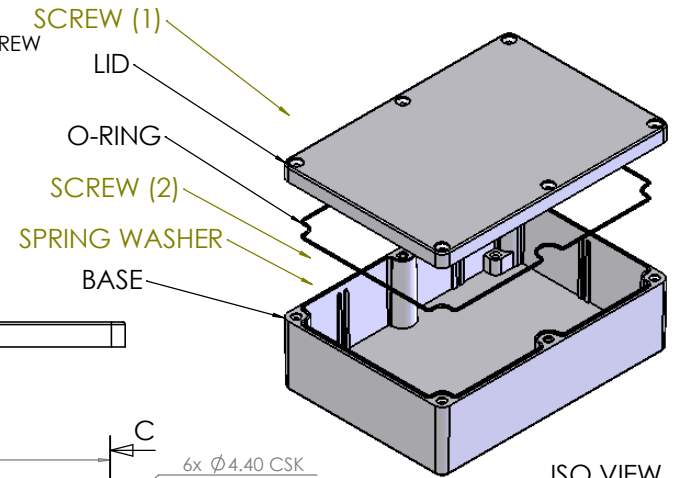


OVERALL ASSEMBLY DIMENSIONS:

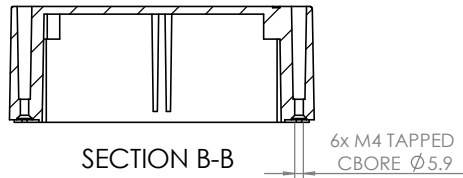
EXTERNAL - 171 x 120.9 x 54.9

INTERNAL - 164.5 x 114.4 x 49.4

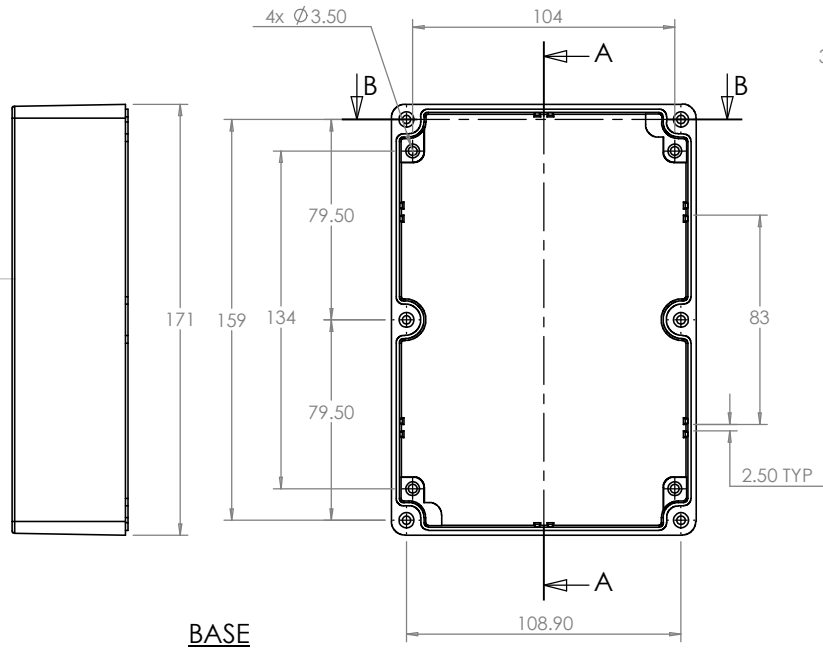
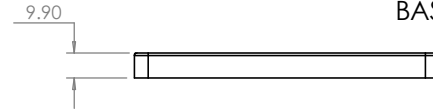
- (1) 6x M4 UNIT ASSEMBLY SCREW
- (2) 2x SELF-TAPPING INTERNAL MOUNTING SCREW



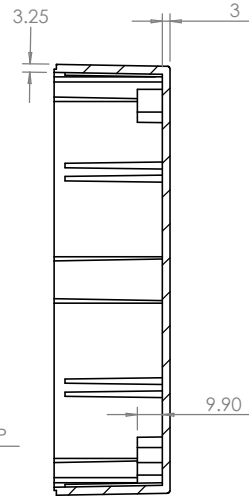
ISO VIEW
1:4



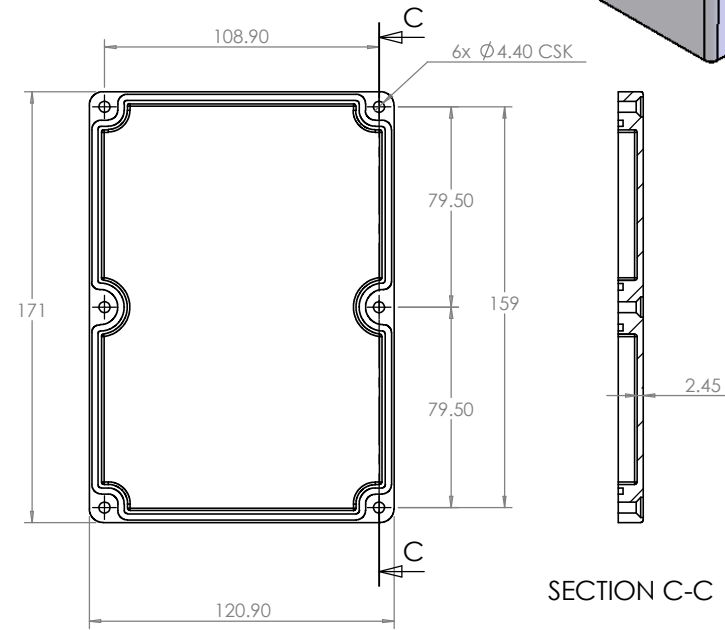
SECTION B-B



BASE

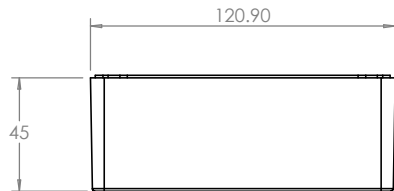




SECTION A-A



SECTION C-C

LID



 CAMDENBOSS JAMES CARTER RD, MILDENHALL, SUFFOLK. IP28 7DE TEL: 01638 716101 FAX: 01638 716554 EMAIL: Sales@CamdenBoss.com WEB: www.CamdenBoss.com		UNLESS OTHERWISE SPECIFIED: DIMENSIONS ARE IN MILLIMETERS		DO NOT SCALE DRAWING	REVISION. 0
		FINISH: SMOOTH		TITLE: ASSEMBLY DRG FOR 5500-20	
DRAWN	NAME S.HARDINGE	SIGNED SJH	DATE 09/01/06	MATERIAL: DIE-CAST ALUMINIUM	DWG NO. 5500-20
CHK'D	-	-	-	PROJECTION. 	SCALE: 1 : 3
				SHEET 1 OF 1	

A4