

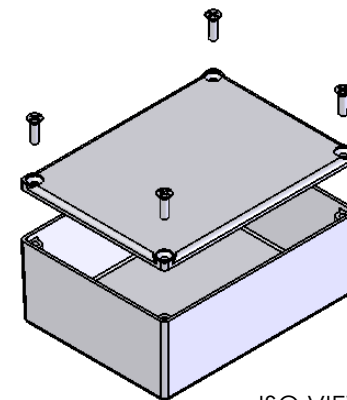
OVERALL ASSEMBLY DIMENSIONS:

EXTERNAL - 109.4 x 82 x 44.3

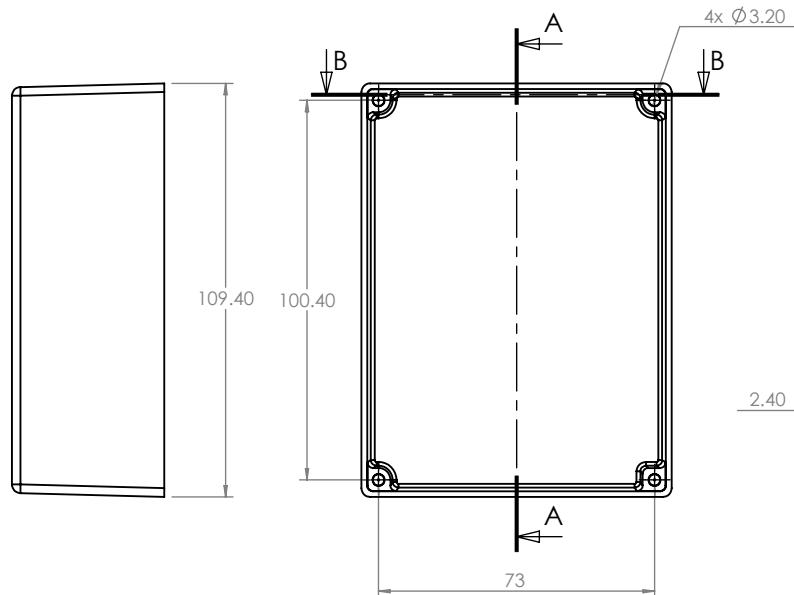
INTERNAL - 106.4 x 79 x 40.3



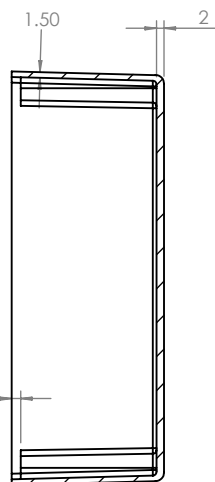
SECTION B-B



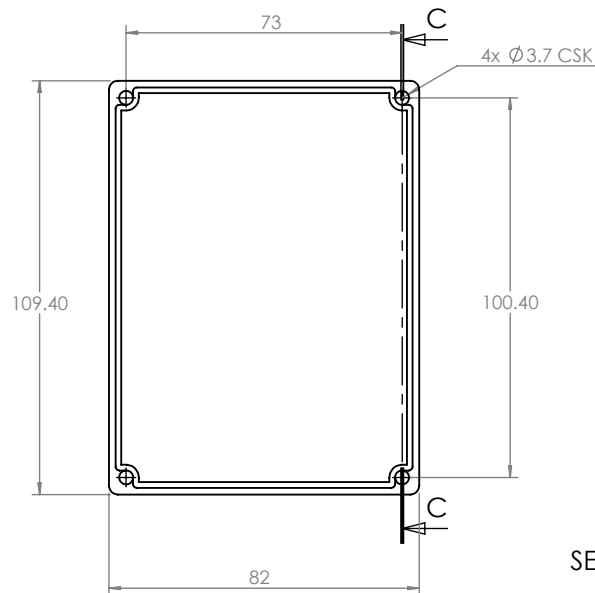
ISO VIEW  
1:3



BASE

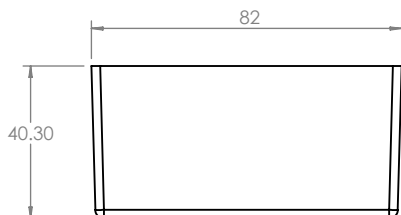




SECTION A-A



SECTION C-C

LID



 <b>CAMDENBOSS</b> JAMES CARTER RD, MILDENHALL, SUFFOLK. IP28 7DE TEL: 01 638 716101 FAX: 01 638 716554 EMAIL: SALES@BOSS-ENCLOSURES.CO.UK WEB: WWW.BOSS-ENCLOSURES.CO.UK		UNLESS OTHERWISE SPECIFIED: DIMENSIONS ARE IN MILLIMETERS		DO NOT SCALE DRAWING	REVISION. 0				
		FINISH. <b>SMOOTH</b>		TITLE: <b>ASSEMBLY DRG FOR 5100-471</b>					
DRAWN	S.HARDINGE	SIGNED	SJH	DATE	08/12/05	MATERIAL. DIE-CAST ALUMINIUM	DWG NO.	<b>5100-471</b>	A4
CHKD	-	-	-	PROJECTION.		SCALE: 1 : 2	SHEET 1 OF 1		