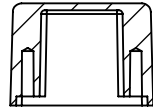


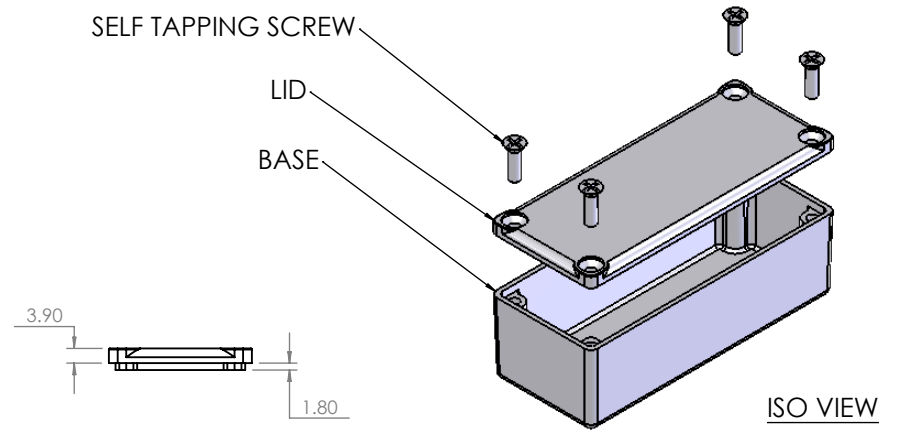
OVERALL ASSEMBLY DIMENSIONS:

EXTERNAL - 91.8 x 37.8 x 30.9

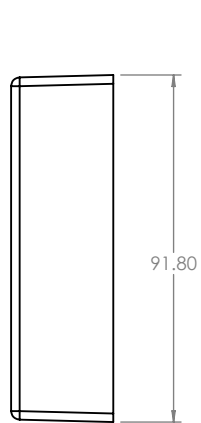
INTERNAL - 88.8 x 34.8 x 27.1



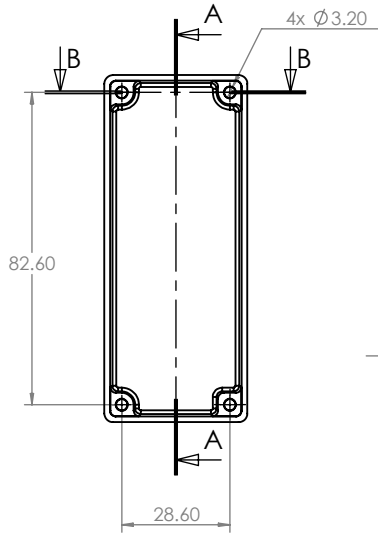
SECTION B-B



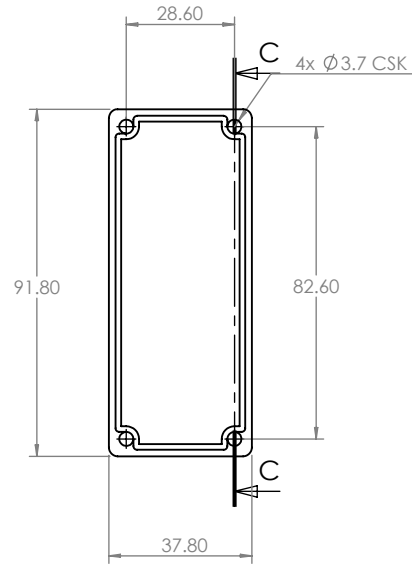
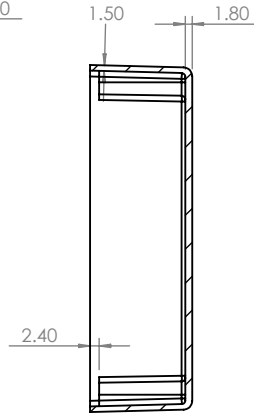
ISO VIEW



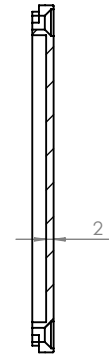
BASE





SECTION A-A



SECTION C-C



 CAMDENBOSS JAMES CARTER RD, MILDENHALL, SUFFOLK. IP28 7DE TEL: 01638 716101 FAX: 01638 716554 EMAIL: Sales@CamdenBoss.com WEB: www.CamdenBoss.com				UNLESS OTHERWISE SPECIFIED: DIMENSIONS ARE IN MILLIMETERS		DO NOT SCALE DRAWING		REVISION. 0		
				FINISH. SMOOTH		TITLE: ASSEMBLY DRG FOR 5100-123				
DRAWN S.HARDINGE		SIGNED SJH		DATE 08/12/05		MATERIAL. DIE-CAST ALUMINIUM		DWG NO. 5100-123		A4
CHK'D -		-		-		PROJECTION. 		SCALE: 1 : 2		SHEET 1 OF 1